

POWEREX POWER MODULES

These power modules are available from stock and feature new, lower prices.

Features:

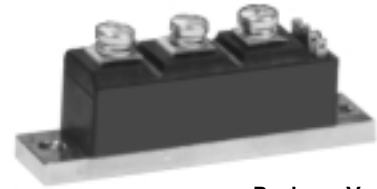
- Industry Standard Packages
- Electrically Isolated Baseplate
- Low Thermal Impedance
- Quick Connect Gate Terminal
- UL Recognized
- Easy Assembly
- Long Term Parameter Stability
- Quick Solder-Free Connection

Applications:

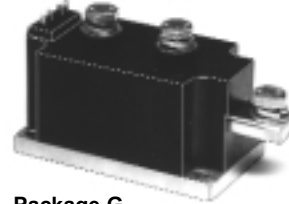
- | | |
|------------------------|--------------------------|
| Battery Supplies | Soft Start Motor Control |
| Bridge Circuits | Rectifier |
| AC & DC Motor Control | Welding Circuits |
| Tap Changers | Free Wheeling Diodes |
| Lighting Controls | Snubber |
| By-Pass Switch Circuit | Center Tap Rectifiers |



Package F



Package V



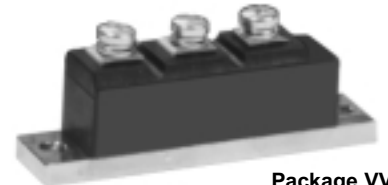
Package G



Package Y



Package BB



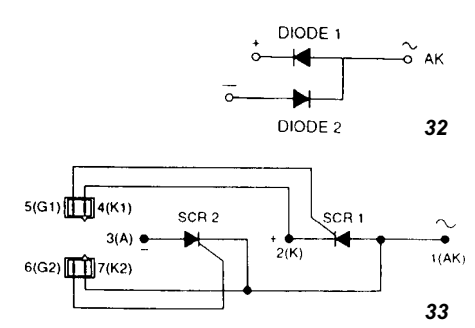
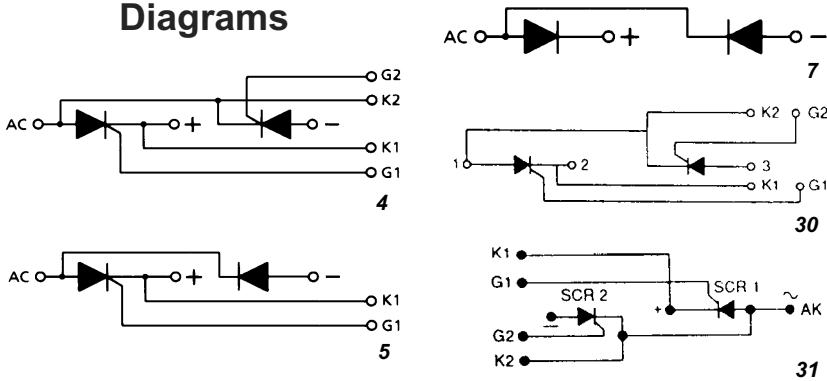
Package VV



Package VVA

Description	Package	Diagram	Part #	Price
40A 600V DUAL-SCR	V	4	CD430640	39.33
40A 1200V DUAL-SCR	V	4	CD431240	38.79
60A 1200V DUAL-SCR	V	4	CD431260	43.78
90A 1200V DUAL-SCR	V	4	CD431290	28.00
90A 1600V DUAL-SCR	V	4	CD431690	49.75
150A 1200V DUAL-SCR	F	30	CD631215	105.59
150A 1600V DUAL-SCR	F	30	CD631615	118.59
210A 1600V DUAL-SCR	G	31	ED431621	176.84
250A 600V DUAL-SCR	G	31	ED430625	167.95
250A 1200V DUAL-SCR	G	31	ED431225	188.24
250A 1400V DUAL-SCR	G	31	ED431425	202.14
250A 1600V DUAL-SCR	G	31	ED431625	219.64
500A 1200V DUAL-SCR	Y	33	LD431250	273.91
500A 1600V DUAL-SCR	Y	33	LD431650	240.00
100A 1200V DUAL-DIODE	BB	7	CDD11210	71.74
100A 1600V DUAL-DIODE	BB	7	CDD11610	79.93
160A 1200V DUAL-DIODE	F	7	CD611216	CALL
160A 1600V DUAL-DIODE	F	7	CD611616	CALL
260A 800V DUAL-DIODE	G	32	ED410826	CALL
260A 1200V DUAL-DIODE	G	32	ED411226	170.15
260A 1400V DUAL-DIODE	G	32	ED411426	CALL
260A 1600V DUAL-DIODE	G	32	ED411626	CALL
100A 1600V DUAL-DIODE	VV	7	CD411699	44.05
60A 1200V SCR-DIODE	VVA	5	CD421260	43.90
90A 1200V SCR-DIODE	VVA	5	CD421290	46.96
90A 1600V SCR-DIODE	VVA	5	CD421690	44.76

Diagrams



Availability: stock - 2 weeks
Prices subject to change without notice



800/575-5562

2601 Pinehurst Drive • Madison Heights, Michigan 48071
Emergency Number: (248) 542-9090 • Fax: (248) 542-8031