



Individual & fixed bank Capacitors



Description

- **High reliability**
Well proven features of ABB dry type power factor correction capacitor technology are incorporated into individual and fixed bank designs.
- **Very low losses**
Capacitor total losses are less than 0.5 watts per kvar.
- **Discharge mechanism**
Carbon filament or wire-wound resistors sized to automatically discharge the capacitor to less than 50 volts in under one minute.
- **Tolerance on capacitance**
0%, +15%
- **Overcurrent tolerance**
135% of rated current, continuously
- **Overvoltage tolerance**
110% of rated voltage, continuously
- **Standard ambient temperature range**
-40°C to +40°C (-40°F to +104°F)
- **Internal cables and insulation**
All internal conductors utilize stranded, tin plated copper wire. Insulation is fire-retardant, rated 105°C (220°F).
- **Complete environmental acceptability**
ABB capacitors have a dry type dielectric with no free liquid and do not pose any risk of leakage or pollution of the environment. Therefore, employee safety training and maintenance of Material Safety Data Sheets are not required with these capacitors.
- **Unique sequential protection system**
Patented system ensures that each individual capacitor element is selectively and reliably disconnected from the circuit at the end of its life.

continued next page

General information

Catalog number explanation

Fuse protection

- ABB capacitors are provided with patented IPE (Internally Protected Elements) which is an integral and important part of the Sequential Protection System. Additional fuses are NOT required for protection of ABB capacitor elements, but external overcurrent protection may be needed for the installation in order to meet the National Electric Code requirements concerning protection of the conductors feeding the capacitors.

Long life

Low losses and the self-healing properties of ABB capacitor elements help to guarantee the long operating life of individual and fixed capacitor banks from ABB.

Safety

Vermiculite, a nonflammable and nontoxic material, safely absorbs any energy produced within the capacitor enclosure.

Approvals

- UL, CE and CSA approved
 - UL File #E135667
 - CSA File #LR88616
- Complies with applicable requirements of IEC, NEC®, NEMA CP-1, ANSI and IEEE std. 18.

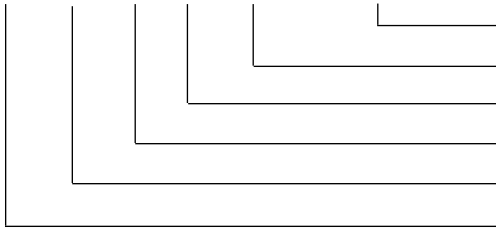
Factory modifications

- Mounting brackets
- Terminal connected fuses & blown fuse indication
- State indication

NOTE: National Electric Code® and NEC® are registered trademarks of the National Fire Protection Association, Inc., Quincy, MA 02269

C 48 4 G 2.5 - 2LF

Catalog number explanation



Factory modifications

kvar rating

Enclosure type – **G**=NEMA 1, **R**=NEMA 3R, **D**=NEMA 12

Enclosure size – **4**=43, **5**=53, **6**=63, **8**=83, **9**=93

Voltage – **20**=208V, **24**=240V, **48**=480V, **60**=600V

Capacitor type – **C**=Individual, **F**=Fixed bank, **P**=Pump jack

Individual capacitors

3 phase ①

240 Volt, 60 Hz



ABB's standard capacitor is suitable for general power factor correction applications, for connection directly at the reactive source.

Features include:

- Dry, environmentally safe construction
- Self healing capability
- Patented Internal Protected Elements
- NEMA 1, 3R, 12
- Easy electrical connection to large terminals
- Convenient grounding lug
- Mounting feet for easy installation
- Suitable for floor or wall mounting

240 Volt, 60 Hz – 3-Phase

Enclosure size	kvar rating	Rated current per phase (amps)	Approx. shipping weight (lbs.)	Enclosure type					
				Indoor – NEMA 1		Outdoor – NEMA 3R		Indoor – NEMA 12	
				Catalog number		Catalog number		Catalog number	
43	1	2.4	8	C244G1		C244R1		C244D1	
	1.5	3.6	8	C244G1.5		C244R1.5		C244D1.5	
	2	4.8	8	C244G2		C244R2		C244D2	
	2.5	6.0	8	C244G2.5		C244R2.5		C244D2.5	
	3	7.2	8	C244G3		C244R3		C244D3	
	3.5	8.4	8	C244G3.5		C244R3.5		C244D3.5	
	4	9.6	8	C244G4		C244R4		C244D4	
	5	12.0	8	C244G5		C244R5		C244D5	
	6	14.4	8	C244G6		C244R6		C244D6	
	7	16.8	8	C244G7		C244R7		C244D7	
	7.5	18.0	8	C244G7.5		C244R7.5		C244D7.5	
	8	19.2	8	C244G8		C244R8		C244D8	
	9	21.7	8	C244G9		C244R9		C244D9	
	10	24.1	8	C244G10		C244R10		C244D10	
	11	26.5	13	C244G11		C244R11		C244D11	
	12	28.9	13	C244G12		C244R12		C244D12	
	12.5	30.1	13	C244G12.5		C244R12.5		C244D12.5	
	14	33.7	8	C244G14		C244R14		C244D14	
	15	36.1	8	C244G15		C244R15		C244D15	
	17	40.8	22	C244G17		C244R17		C244D17	
20	48.1	22	C244G20		C244R20		C244D20		
53	22.5	54.1	23	C245G22.5		C245R22.5		C245D22.5	
	25	60.1	23	C245G25		C245R25		C245D25	
	30	72.2	23	C245G30		C245R30		C245D30	
	35	84.2	25	C245G35		C245R35		C245D35	
	40	96.2	25	C245G40		C245R40		C245D40	
63	45	108.3	34	C246G45		C246R45		C246D45	
	50	120.3	34	C246G50		C246R50		C246D50	
	55	132.3	37	C246G55		C246R55		C246D55	
	60	144.3	37	C246G60		C246R60		C246D60	
	70	168.4	39	C246G70		C246R70		C246D70	
	80	192.6	43	C246G80		C246R80		C246D80	

Capacitor state indication system

240V kvar	LEDs catalog number suffix
1 – 15	
17 – 30	-2LE
35 – 60	-2LF
70 – 80	

The capacitor state indication system consists of two yellow LED lights which illuminate only when the capacitor is energized and functioning at 65% or more of its rated kvar capacity.

The two light system will indicate a failure in any one of the three phases of the capacitor.

208 Volt availability

For 208 volt applications, derate the 240V capacitors. The kvar at 208V will be .75 times the kvar at 240V.

NOTE: ABB's patented IPE design eliminates the need for additional overcurrent protection when capacitors are electrically connected on the load side of a motor starter circuit breaker or fusible disconnect switch.

Optional mounting for individual capacitors

Type	Enclosure sizes	Catalog number
Wall mounting kit ②	43-93	WM83K
Rack mounting style enclosure	53-93	Catalog # suffix -RM

① For single phase capacitors, please consult your ABB representative.

② When the wall mounting kit is used with enclosure sizes 63, 83 & 93, it is recommended to order the rack style enclosure.

Individual capacitors

3-phase ①

480 Volt, 60 Hz

480 Volt, 60 Hz – 3-Phase

Enclosure size	kvar rating	Rated current per phase (amps)	Approx. shipping weight (lbs.)	Enclosure type					
				Indoor – NEMA 1		Outdoor – NEMA 3R		Indoor – NEMA 12	
				Catalog number		Catalog number		Catalog number	
43	1.5	1.8	8	C484G1.5		C484R1.5		C484D1.5	
	2	2.4	8	C484G2		C484R2		C484D2	
	2.5	3.0	8	C484G2.5		C484R2.5		C484D2.5	
	3	3.6	8	C484G3		C484R3		C484D3	
	4	4.8	8	C484G4		C484R4		C484D4	
	5	6.0	8	C484G5		C484R5		C484D5	
	6	7.2	8	C484G6		C484R6		C484D6	
	7.5	9.0	8	C484G7.5		C484R7.5		C484D7.5	
	8	9.6	8	C484G8		C484R8		C484D8	
	9	10.8	8	C484G9		C484R9		C484D9	
	10	12.0	8	C484G10		C484R10		C484D10	
	12	14.4	13	C484G12		C484R12		C484D12	
	12.5	15.0	13	C484G12.5		C484R12.5		C484D12.5	
	13	15.6	13	C484G13		C484R13		C484D13	
	13.5	16.2	13	C484G13.5		C484R13.5		C484D13.5	
	14	16.8	8	C484G14		C484R14		C484D14	
	15	18.0	8	C484G15		C484R15		C484D15	
	16	19.2	13	C484G16		C484R16		C484D16	
	17	20.4	13	C484G17		C484R17		C484D17	
	17.5	21.0	13	C484G17.5		C484R17.5		C484D17.5	
	18	21.7	13	C484G18		C484R18		C484D18	
	19	22.8	13	C484G19		C484R19		C484D19	
	20	24.1	13	C484G20		C484R20		C484D20	
	21	25.3	13	C484G21		C484R21		C484D21	
	22	26.5	13	C484G22		C484R22		C484D22	
	22.5	27.1	13	C484G22.5		C484R22.5		C484D22.5	
	24	28.9	13	C484G24		C484R24		C484D24	
	25	30.1	13	C484G25		C484R25		C484D25	
	27	32.5	13	C484G27		C484R27		C484D27	
	30	36.1	13	C484G30		C484R30		C484D30	
53	32.5	39.1	14	C485G32.5		C485R32.5		C485D32.5	
	35	42.1	23	C485G35		C485R35		C485D35	
	37.5	45.1	23	C485G37.5		C485R37.5		C485D37.5	
	40	48.1	23	C485G40		C485R40		C485D40	
	42.5	51.1	23	C485G42.5		C485R42.5		C485D42.5	
	45	54.1	25	C485G45		C485R45		C485D45	
	47.5	57.1	25	C485G47.5		C485R47.5		C485D47.5	
50	60.1	25	C485G50		C485R50		C485D50		
63	52.5	63.1	37	C486G52.5		C486R52.5		C486D52.5	
	55	66.2	37	C486G55		C486R55		C486D55	
	57.5	69.2	37	C486G57.5		C486R57.5		C486D57.5	
	60	72.2	37	C486G60		C486R60		C486D60	
	62.5	75.2	37	C486G62.5		C486R62.5		C486D62.5	
	65	78.2	37	C486G65		C486R65		C486D65	
	70	84.2	39	C486G70		C486R70		C486D70	
	75	90.2	39	C486G75		C486R75		C486D75	
77.5	93.2	39	C486G77.5		C486R77.5		C486D77.5		
83	80	96.2	56	C488G80		C488R80		C488D80	
	85	102.2	56	C488G85		C488R85		—	
	87.5	105.2	56	C488G87.5		C488R87.5		C488D87.5	
	90	108.3	56	C488G90		C488R90		C488D90	
	95	114.3	56	C488G95		C488R95		C488D95	
	100	120.3	56	C488G100		C488R100		C488D100	
	105	126.3	59	C488G105		C488R105		C488D105	
	110	132.3	61	C488G110		C488R110		C488D110	
	115	138.3	76	C488G115		C488R115		C488D115	
	120	144.3	76	C488G120		C488R120		C488D120	

Mounting options

For mounting options, see page 20.9. Base mounting is standard.

NOTE: ABB's patented IPE design eliminates the need for additional overcurrent protection when capacitors are electrically connected on the load side of a motor starter circuit breaker or fusible disconnect switch.

21 Capacitor state indication

See page 20.10.

① For single phase capacitors, please consult your ABB representative.

Individual capacitors

3 phase ①

600 Volt, 60 Hz

Low Voltage
Network Quality

600 Volt, 60 Hz – 3 phase

Enclosure size	kvar rating	Rated current per phase (amps)	Approx. shipping weight (lbs.)	Enclosure type					
				Indoor – NEMA 1		Outdoor – NEMA 3R		Indoor – NEMA 12	
				Catalog number		Catalog number		Catalog number	
43	2.2	1.9	8	C604G2.2		C604R2.2		C604D2.2	
	3	2.9	8	C604G3		C604R3		C604D3	
	4	3.8	8	C604G4		C604R4		C604D4	
	5	4.8	8	C604G5		C604R5		C604D5	
	7.5	7.2	8	C604G7.5		C604R7.5		C604D7.5	
	10	9.6	8	C604G10		C604R10		C604D10	
	14	13.5	8	C604G14		C604R14		C604D14	
	15	14.4	8	C604G15		C604R15		C604D15	
	17.5	16.8	13	C604G17.5		C604R17.5		C604D17.5	
	20	19.2	13	C604G20		C604R20		C604D20	
25	24.1	13	C604G25		C604R25		C604D25		
30	28.9	13	C604G30		C604R30		C604D30		
53	35	33.7	25	C605G35		C605R35		C605D35	
	40	38.5	25	C605G40		C605R40		C605D40	
	45	43.3	25	C605G45		C605R45		C605D45	
	50	48.1	35	C605G50		C605R50		C605D50	
63	60	57.7	37	C606G60		C606R60		C606D60	
	70	67.4	39	C606G70		C606R70		C606D70	
	75	72.2	39	C606G75		C606R75		C606D75	
	80	77.0	39	C606G80		C606R80		C606D80	
83	90	86.6	54	C608G90		C608R90		C608D90	
	95	91.4	54	C608G95		C608R95		C608D95	
	100	96.2	56	C608G100		C608R100		C608D100	
	105	101.0	59	C608G105		C608R105		C608D105	
	110	105.8	61	C608G110		C608R110		C608D110	
	115	110.7	76	C608G115		C608R115		C608D115	
	120	115.5	76	C608G120		C608R120		C608D120	
	125	120.3	76	C608G125		C608R125		C608D125	
	130	125.1	76	C608G130		C608R130		C608D130	
	135	129.9	76	C608G135		C608R135		C608D135	

Capacitor state indication system

480V & 600V kvar	LEDs catalog number suffix	
1 – 30		
32.5 – 60	-2LE	
62.5 – 100	-2LF	
105 – 135		

The capacitor state indication system consists of two yellow LED lights which illuminate only when the capacitor is energized and functioning at 65% or more of its rated kvar capacity.

The two light system will indicate a failure in any one of the three phases of the capacitor.

Mounting options

For mounting options, see page 20.9. Base mounting is standard.

NOTE: ABB's patented IPE design eliminates the need for additional overcurrent protection when capacitors are electrically connected on the load side of a motor starter circuit breaker or fusible disconnect switch.

① For single phase capacitors, please consult your ABB representative

Individual capacitors with fuses and blown fuse indicators, 3 phase 240 Volt, 60 Hz



ABB low voltage capacitors are fully protected by the three levels of protection offered by the patented Sequential Protection System which includes dry self-healing capacitors, internally protected elements and the dry non-flammable vermiculite filler. However, some users have traditionally requested external fuses and blown fuse indicators, so these modified units are offered for those applications.

Features include:

- Dry, environmentally safe construction
- Self healing capability
- Patented Internal Protected Elements
- NEMA 1, 3R, 12
- Easy electrical connection to large terminals
- Convenient grounding lug
- Mounting feet for easy installation
- Suitable for floor or wall mounting
- Includes three fuses and three blown fuse indication lamps

240 Volt, 60 Hz — 3 phase

Enclosure size	kvar rating	Rated current per phase (amps)	Fuse amps/type	Approx. shipping weight (lbs.)	Enclosure type					
					Indoor – NEMA 1		Outdoor – NEMA 3R		Indoor – NEMA 12	
					Catalog number		Catalog number		Catalog number	
43	1	2.4	6/CC	8	C244G1-3FI		C244R1-3FI		C244D1-3FI	
	1.5	3.6	10/CC	8	C244G1.5-3FI		C244R1.5-3FI		C244D1.5-3FI	
	2	4.8	12/CC	8	C244G2-3FI		C244R2-3FI		C244D2-3FI	
	2.5	6.0	15/CC	8	C244G2.5-3FI		C244R2.5-3FI		C244D2.5-3FI	
	3	7.2	20/CC	8	C244G3-3FI		C244R3-3FI		C244D3-3FI	
	3.5	8.4	20/CC	8	C244G3.5-3FI		C244R3.5-3FI		C244D3.5-3FI	
	4	9.6	25/CC	8	C244G4-3FI		C244R4-3FI		C244D4-3FI	
	5	12.0	30/CC	8	C244G5-3FI		C244R5-3FI		C244D5-3FI	
	6	14.4	45/T	8	C244G6-3FI		C244R6-3FI		C244D6-3FI	
	7	16.8	50/T	8	C244G7-3FI		C244R7-3FI		C244D7-3FI	
	7.5	18.0	60/T	8	C244G7.5-3FI		C244R7.5-3FI		C244D7.5-3FI	
	8	19.2	60/T	8	C244G8-3FI		C244R8-3FI		C244D8-3FI	
	9	21.7	50/KGJ	14	C245G9-3FI		C245R9-3FI		C245D9-3FI	
	10	24.1	50/KGJ	14	C245G10-3FI		C245R10-3FI		C245D10-3FI	
11	26.5	60/KGJ	14	C245G11-3FI		C245R11-3FI		C245D11-3FI		
12	28.9	60/KGJ	14	C245G12-3FI		C245R12-3FI		C245D12-3FI		
12.5	30.1	60/KGJ	14	C245G12.5-3FI		C245R12.5-3FI		C245D12.5-3FI		
14	33.7	75/KGJ	14	C245G14-3FI		C245R14-3FI		C245D14-3FI		
53	15	36.1	80/KGJ	14	C246G15-3FI		C246R15-3FI		C246D15-3FI	
	17	40.9	80/KGJ	23	C246G17-3FI		C246R17-3FI		C246D17-3FI	
	20	48.1	125/KGJ	23	C246G20-3FI		C246R20-3FI		C246D20-3FI	
	22.5	54.2	125/KGJ	23	C246G22.5-3FI		C246R22.5-3FI		C246D22.5-3FI	
	25	60.1	150/KGJ	23	C246G25-3FI		C246R25-3FI		C246D25-3FI	
	30	72.2	175/KGJ	23	C246G30-3FI		C246R30-3FI		C246D30-3FI	
	35	84.2	200/KGJ	23	C246G35-3FI		C246R35-3FI		C246D35-3FI	
40	96.2	225/KGJ	25	C246G40-3FI		C246R40-3FI		C246D40-3FI		
63	45	108.3	250/KGJ	34	C248G45-3FI		C248R45-3FI		C248D45-3FI	
	50	120.3	250/KGJ	34	C248G50-3FI		C248R50-3FI		C248D50-3FI	
	55	132	250/KGJ	37	C248G55-3FI		C248R55-3FI		C248D55-3FI	
	60	144.3	250/KGJ	37	C248G60-3FI		C248R60-3FI		C248D60-3FI	

208 Volt availability

For 208 volt applications, derate the 240V capacitors. The kvar at 208V will be .75 times the kvar at 240V.

NOTE: ABB's patented IPE design eliminates the need for additional overcurrent protection when capacitors are electrically connected on the load side of a motor starter circuit breaker or fusible disconnect switch.

Optional mounting for individual capacitors

Type	Enclosure sizes	Catalog number	
Wall mounting kit ②	43-93	WM83K	
Rack mounting style enclosure	53-93	Catalog # suffix -RM	

② When the wall mounting kit is used with enclosure sizes 63, 83 & 93, it is recommended to order the rack style enclosure.

Individual capacitors with fuses and blown fuse indicators, 3 phase 480 Volt, 60 Hz

**Low Voltage
Network Quality**

480 Volt, 60 Hz – 3 phase

Enclosure size	kvar rating	Rated current per phase (amps)	Fuse amps/type	Approx. shipping weight (lbs.)	Enclosure type					
					Indoor – NEMA 1		Outdoor – NEMA 3R		Indoor – NEMA 12	
					Catalog number		Catalog number		Catalog number	
43	1.5	1.8	5/CC	8	C484G1.5-3FI		C484R1.5-3FI		C484D1.5-3FI	
	2	2.4	6/CC	8	C484G2-3FI		C484R2-3FI		C484D2-3FI	
	2.5	3.0	8/CC	8	C484G2.5-3FI		C484R2.5-3FI		C484D2.5-3FI	
	3	3.6	10/CC	8	C484G3-3FI		C484R3-3FI		C484D3-3FI	
	4	4.8	12/CC	8	C484G4-3FI		C484R4-3FI		C484D4-3FI	
	5	6.0	15/CC	8	C484G5-3FI		C484R5-3FI		C484D5-3FI	
	6	7.2	20/CC	8	C484G6-3FI		C484R6-3FI		C484D6-3FI	
	7.5	9.0	25/CC	8	C484G7.5-3FI		C484R7.5-3FI		C484D7.5-3FI	
	8	9.6	25/CC	8	C484G8-3FI		C484R8-3FI		C484D8-3FI	
	9	10.8	30/CC	8	C484G9-3FI		C484R9-3FI		C484D9-3FI	
	10	12.0	30/CC	8	C484G10-3FI		C484R10-3FI		C484D10-3FI	
	12	14.4	45/T	13	C484G12-3FI		C484R12-3FI		C484D12-3FI	
	12.5	15.0	45/T	13	C484G12.5-3FI		C484R12.5-3FI		C484D12.5-3FI	
	13	15.6	50/T	13	C484G13-3FI		C484R13-3FI		C484D13-3FI	
	13.5	16.2	50/T	13	C484G13.5-3FI		C484R13.5-3FI		C484D13.5-3FI	
	14	16.8	50/T	8	C484G14-3FI		C484R14-3FI		C484D14-3FI	
15	18.0	60/T	8	C484G15-3FI		C484R15-3FI		C484D15-3FI		
16	19.2	60/T	13	C484G16-3FI		C484R16-3FI		C484D16-3FI		
53	17	20.4	50/KGJ	14	C485G17-3FI		C485R17-3FI		C485D17-3FI	
	17.5	21.0	50/KGJ	14	C485G17.5-3FI		C485R17.5-3FI		C485D17.5-3FI	
	18	21.7	50/KGJ	14	C485G18-3FI		C485R18-3FI		C485D18-3FI	
	19	22.8	50/KGJ	14	C485G19-3FI		C485R19-3FI		C485D19-3FI	
	20	24.1	50/KGJ	14	C485G20-3FI		C485R20-3FI		C485D20-3FI	
	21	25.3	60/KGJ	14	C485G21-3FI		C485R21-3FI		C485D21-3FI	
	22	26.5	60/KGJ	14	C485G22-3FI		C485R22-3FI		C485D22-3FI	
	22.5	27.1	60/KGJ	14	C485G22.5-3FI		C485R22.5-3FI		C485D22.5-3FI	
	24	28.9	60/KGJ	14	C485G24-3FI		C485R24-3FI		C485D24-3FI	
	25	30.1	75/KGJ	14	C485G25-3FI		C485R25-3FI		C485D25-3FI	
27	32.5	75/KGJ	14	C485G27-3FI		C485R27-3FI		C485D27-3FI		
63	30	36.1	80/KGJ	14	C486G30-3FI		C486R30-3FI		C486D30-3FI	
	32.5	39.1	100/KGJ	14	C486G32.5-3FI		C486R32.5-3FI		C486D32.5-3FI	
	35	42.1	100/KGJ	23	C486G35-3FI		C486R35-3FI		C486D35-3FI	
	37.5	45.1	100/KGJ	23	C486G37.5-3FI		C486R37.5-3FI		C486D37.5-3FI	
	40	48.1	125/KGJ	23	C486G40-3FI		C486R40-3FI		C486D40-3FI	
	42.5	51.1	125/KGJ	23	C486G42.5-3FI		C486R42.5-3FI		C486D42.5-3FI	
	45	54.1	125/KGJ	25	C486G45-3FI		C486R45-3FI		C486D45-3FI	
	47.5	57.1	125/KGJ	25	C486G47.5-3FI		C486R47.5-3FI		C486D47.5-3FI	
	50	60.1	150/KGJ	25	C486G50-3FI		C486R50-3FI		C486D50-3FI	
83	52.5	63.1	150/KGJ	37	C488G52.5-3FI		C488R52.5-3FI		C488D52.5-3FI	
	55	66.2	150/KGJ	37	C488G55-3FI		C488R55-3FI		C488D55-3FI	
	57.5	69.2	150/KGJ	37	C488G57.5-3FI		C488R57.5-3FI		C488D57.5-3FI	
	60	72.2	175/KGJ	37	C488G60-3FI		C488R60-3FI		C488D60-3FI	
	62.5	75.2	175/KGJ	37	C488G62.5-3FI		C488R62.5-3FI		C488D62.5-3FI	
	65	78.2	175/KGJ	37	C488G65-3FI		C488R65-3FI		C488D65-3FI	
	70	84.2	200/KGJ	39	C488G70-3FI		C488R70-3FI		C488D70-3FI	
	75	90.2	200/KGJ	41	C488G75-3FI		C488R75-3FI		C488D75-3FI	
77.5	93.2	200/KGJ	41	C488G77.5-3FI		C488R77.5-3FI		C488D77.5-3FI		
93	80	96.2	225/KGJ	56	C489G80-3FI		C489R80-3FI		C489D80-3FI	
	85	102.2	225/KGJ	56	C489G85-3FI		C489R85-3FI		C489D85-3FI	
	87.5	105.2	225/KGJ	56	C489G87.5-3FI		C489R87.5-3FI		C489D87.5-3FI	
	90	108.3	225/KGJ	56	C489G90-3FI		C489R90-3FI		C489D90-3FI	
	95	114.3	250/KGJ	56	C489G95-3FI		C489R95-3FI		C489D95-3FI	
	100	120.3	250/KGJ	56	C489G100-3FI		C489R100-3FI		C489D100-3FI	
	105	126.3	250/KGJ	59	C489G105-3FI		C489R105-3FI		C489D105-3FI	
	110	132.3	250/KGJ	61	C489G110-3FI		C489R110-3FI		C489D110-3FI	
	115	138.3	250/KGJ	76	C489G115-3FI		C489R115-3FI		C489D115-3FI	
120	144.3	300/KGJ	76	C489G120-3FI		C489R120-3FI		C489D120-3FI		

NOTE: ABB's patented IPE design eliminates the need for additional overcurrent protection when capacitors are electrically connected on the load side of a motor starter circuit breaker or fusible disconnect switch.

Mounting options

For mounting options, see page 20.12. Base mounting is standard.

Individual capacitors with fuses and blown fuse indicators, 3 phase 600 Volt, 60 Hz

600 Volt, 60 Hz – 3 phase

Enclosure size	kvar rating	Rated current per phase (amps)	Fuse amps/type	Approx. shipping weight (lbs.)	Enclosure type					
					Indoor – NEMA 1		Outdoor – NEMA 3R		Indoor – NEMA 12	
					Catalog number		Catalog number		Catalog number	
43	2.2	2.1	6/CC	8	C604G2.2-3FI		C604R2.2-3FI		C604D2.2-3FI	
	3	2.9	8/CC	8	C604G3-3FI		C604R3-3FI		C604D3-3FI	
	4	3.8	10/CC	8	C604G4-3FI		C604R4-3FI		C604D4-3FI	
	5	4.8	12/CC	8	C604G5-3FI		C604R5-3FI		C604D5-3FI	
	7.5	7.2	20/CC	8	C604G7.5-3FI		C604R7.5-3FI		C604D7.5-3FI	
	10	9.6	25/CC	8	C604G10-3FI		C604R10-3FI		C604D10-3FI	
	14	13.5	40/T	13	C604G14-3FI		C604R14-3FI		C604D14-3FI	
	15	14.4	45/T	13	C604G15-3FI		C604R15-3FI		C604D15-3FI	
	17.5	16.8	50/T	13	C604G17.5-3FI		C604R17.5-3FI		C604D17.5-3FI	
	20	19.2	60/T	13	C604G20-3FI		C604R20-3FI		C604D20-3FI	
53	25	24.1	50/KGJ	14	C605G25-3FI		C605R25-3FI		C605D25-3FI	
	30	28.9	60/KGJ	14	C605G30-3FI		C605R30-3FI		C605D30-3FI	
63	35	33.7	75/KGJ	25	C606G35-3FI		C606R35-3FI		C606D35-3FI	
	40	38.5	80/KGJ	25	C606G40-3FI		C606R40-3FI		C606D40-3FI	
	45	43.3	100/KGJ	25	C606G45-3FI		C606R45-3FI		C606D45-3FI	
	50	48.1	125/KGJ	35	C606G50-3FI		C606R50-3FI		C606D50-3FI	
83	60	57.7	125/KGJ	37	C608G60-3FI		C608R60-3FI		C608D60-3FI	
	70	67.4	150/KGJ	39	C608G70-3FI		C608R70-3FI		C608D70-3FI	
	75	72.3	175/KGJ	39	C608G75-3FI		C608R75-3FI		C608D75-3FI	
	80	77.0	175/KGJ	39	C608G80-3FI		C608R80-3FI		C608D80-3FI	
93	90	86.6	200/KGJ	56	C609G90-3FI		C609R90-3FI		C609D90-3FI	
	95	91.4	200/KGJ	56	C609G95-3FI		C609R95-3FI		C609D95-3FI	
	100	96.2	225/KGJ	56	C609G100-3FI		C609R100-3FI		C609D100-3FI	
	105	101.0	250/KGJ	59	C609G105-3FI		C609R105-3FI		C609D105-3FI	
	110	105.8	250/KGJ	61	C609G110-3FI		C609R110-3FI		C609D110-3FI	
	115	110.7	250/KGJ	76	C609G115-3FI		C609R115-3FI		C609D115-3FI	
	120	115.5	250/KGJ	76	C609G120-3FI		C609R120-3FI		C609D120-3FI	
	125	120.3	250/KGJ	76	C609G125-3FI		C609R125-3FI		C609D125-3FI	
	130	125.1	250/KGJ	76	C609G130-3FI		C609R130-3FI		C609D130-3FI	
	135	129.1	250/KGJ	76	C609G135-3FI		C609R135-3FI		C609D135-3FI	

NOTE: ABB's patented IPE design eliminates the need for additional overcurrent protection when capacitors are electrically connected on the load side of a motor starter circuit breaker or fusible disconnect switch.

Mounting options

For mounting options, see page 20.12. Base mounting is standard.

Individual capacitors Pump jack 240 & 480 Volt, 60 Hz



The CLMD-PJ capacitor is ideally suited for oil-field pumping units and other outdoor applications. Standard features include:

- Outdoor, weatherproof enclosure
- 4 feet of 10 gauge, 4-conductor wire for ease of installation
- Convenient pole-mounting design
- Lightweight, totally dry construction

Steel enclosure – 240 Volt, 60 Hz, 3 phase

Enclosure size	kvar rating	Approx. weight (lbs.)	Catalog number
43	2.5	8	P244R2.5
	3.5	8	P244R3.5
	5	8	P244R5
	10	8	P244R10
	12.5	13	P244R12.5
	14	8	P244R14
	15	8	P244R15

208 Volt availability

For 208 volt applications, derate the 240V capacitors. The kvar at 208V will be .75 times the kvar at 240V.

Steel enclosure – 480 Volt, 60 Hz, 3 phase

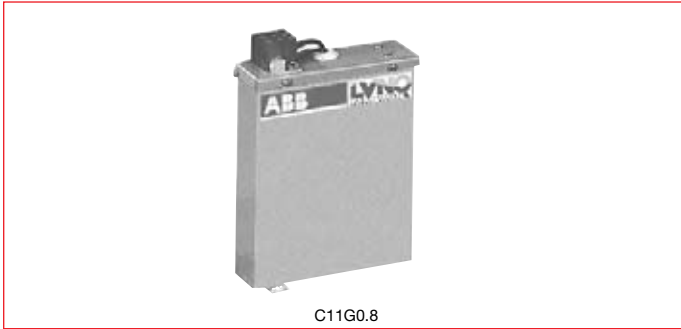
Enclosure size	kvar rating	Approx. weight (lbs.)	Catalog number
43	1.5	8	P484R1.5
	2	8	P484R2
	3	8	P484R3
	4	8	P484R4
	5	8	P484R5
	6	8	P484R6
	7.5	8	P484R7.5
	10	8	P484R10
	15	8	P484R15
	20	13	P484R20
	21	13	P484R21
	22.5	13	P484R22.5
	25	13	P484R25
	27	13	P484R27
	30	13	P484R30

NOTE: ABB's patented IPE design eliminates the need for additional overcurrent protection when capacitors are electrically connected on the load side of a motor starter circuit breaker or fusible disconnect switch.

Individual capacitors

Type CLMD-13

208, 240, 480 & 600 Volt, 60 Hz



The CLMD-13 capacitor is ideally suited for use in motor control centers, control panels and other indoor applications. Standard features include:

- Indoor, steel enclosure
- Easy electrical connection by means of a terminal block mounted on top of the capacitor enclosure (#4 — #18GA)
- Convenient ground lug mounted on top of the capacitor enclosure
- Mounting feet for easy installation
- Lightweight, small dimensions, totally dry construction
- Options and accessories include remote state indication

208 Volt, 60 Hz, 3 phase

Enclosure size	kvar rating	Rated current per phase (amps)	Approx. shipping weight (lbs)	Enclosure type	
				Indoor — NEMA 1	
				Catalog number	
13	0.8	2.2	6	C201G0.8	
	1.1	3.1	6	C201G1.1	
	2	5.6	6	C201G2	
	2.5	6.9	6	C201G2.5	
	3	8.3	6	C201G3	
	4	11.1	6	C201G4	
	5	13.9	6	C201G5	
	7.5	20.8	6	C201G7.5	

600 Volt, 60 Hz, 3 phase

Enclosure size	kvar rating	Rated current per phase (amps)	Approx. shipping weight (lbs)	Enclosure type	
				Indoor — NEMA 1	
				Catalog number	
13	2	1.9	6	C601G2	
	3	2.9	6	C601G3	
	4	3.8	6	C601G4	
	5	4.8	6	C601G5	
	7.5	7.2	6	C601G7.5	
	10	9.6	6	C601G10	
	15	14.4	6	C601G15	

240 Volt, 60 Hz, 3 phase

Enclosure size	kvar rating	Rated current per phase (amps)	Approx. shipping weight (lbs)	Enclosure type	
				Indoor — NEMA 1	
				Catalog number	
13	1	2.4	6	C241G1	
	1.5	3.6	6	C241G1.5	
	2	4.8	6	C241G2	
	2.5	6.0	6	C241G2.5	
	3.5	8.4	6	C241G3.5	
	5	12.0	6	C241G5	
	7.5	18.0	6	C241G7.5	
	10	24.1	6	C241G10	

Options

Type	Catalog number suffix ①	
Remote state indication two LEDs	-2L	

NOTE: ABB's patented IPE design eliminates the need for additional overcurrent protection when capacitors are electrically connected on the load side of a motor starter circuit breaker or fusible disconnect switch.

480 Volt, 60 Hz, 3 phase

Enclosure size	kvar rating	Rated current per phase (amps)	Approx. shipping weight (lbs)	Enclosure type	
				Indoor — NEMA 1	
				Catalog number	
13	0.9	1.1	6	C481G0.9	
	1.5	1.8	6	C481G1.5	
	2	2.4	6	C481G2	
	2.5	3.0	6	C481G2.5	
	3.5	4.2	6	C481G3.5	
	4	4.8	6	C481G4	
	5	6.0	6	C481G5	
	6	7.2	6	C481G6	
	7.5	9.0	6	C481G7.5	
	8	9.6	6	C481G8	
	9	10.8	6	C481G9	
	10	12.0	6	C481G10	
	14	16.8	6	C481G14	
	15	18.0	6	C481G15	
	17	20.4	6	—	

① Add suffix to end of catalog number.

Individual capacitors

Type CLMD-13SC, Stud connected

208, 240, 480 & 600 Volt, 60 Hz



The CLMD-13SC (Stud Connected) capacitor is ideally suited for use in motor control centers, control panels and other indoor applications. Standard features include:

- Indoor, steel enclosure with cover
- Three stud terminals for electrical connection or capacitor parallel bus bar connection
- Mounting feet for easy capacitor installation
- Lightweight, small dimensions, totally dry construction

208 Volt, 60 Hz, 3 phase

Enclosure size	kvar rating	Rated current per phase (amps)	Approx. shipping weight (lbs)	Enclosure type	
				Indoor — NEMA 1	
				Catalog number	
13	0.8	2.2	6	C201G0.8SC	
	1.1	3.1	6	—	
	2	5.6	6	—	
	2.5	6.9	6	C201G2.5SC	
	3	8.3	6	—	
	4	11.1	6	C201G4SC	
	5	13.9	6	C201G5SC	
	7.5	20.8	6	C201G7.5SC	

600 Volt, 60 Hz, 3 phase

Enclosure size	kvar rating	Rated current per phase (amps)	Approx. shipping weight (lbs)	Enclosure type	
				Indoor — NEMA 1	
				Catalog number	
13	2	1.9	6	C601G2SC	
	3	2.9	6	C601G3SC	
	4	3.8	6	C601G4SC	
	5	4.8	6	C601G5SC	
	7.5	7.2	6	C601G7.5SC	
	10	9.6	6	C601G10SC	
	15	14.4	6	C601G15SC	

NOTE: ABB's patented IPE design eliminates the need for additional overcurrent protection when capacitors are electrically connected on the load side of a motor starter circuit breaker or fusible disconnect switch.

240 Volt, 60 Hz, 3 phase

Enclosure size	kvar rating	Rated current per phase (amps)	Approx. shipping weight (lbs)	Enclosure type	
				Indoor — NEMA 1	
				Catalog number	
13	1	2.4	6	C241G1SC	
	1.5	3.6	6	C241G1.5SC	
	2	4.8	6	C241G2SC	
	2.5	6.0	6	C241G2.5SC	
	3.5	8.4	6	C241G3.5SC	
	5	12.0	6	C241G5SC	
	7.5	18.0	6	C241G7.5SC	
	10	24.1	6	C241G10SC	

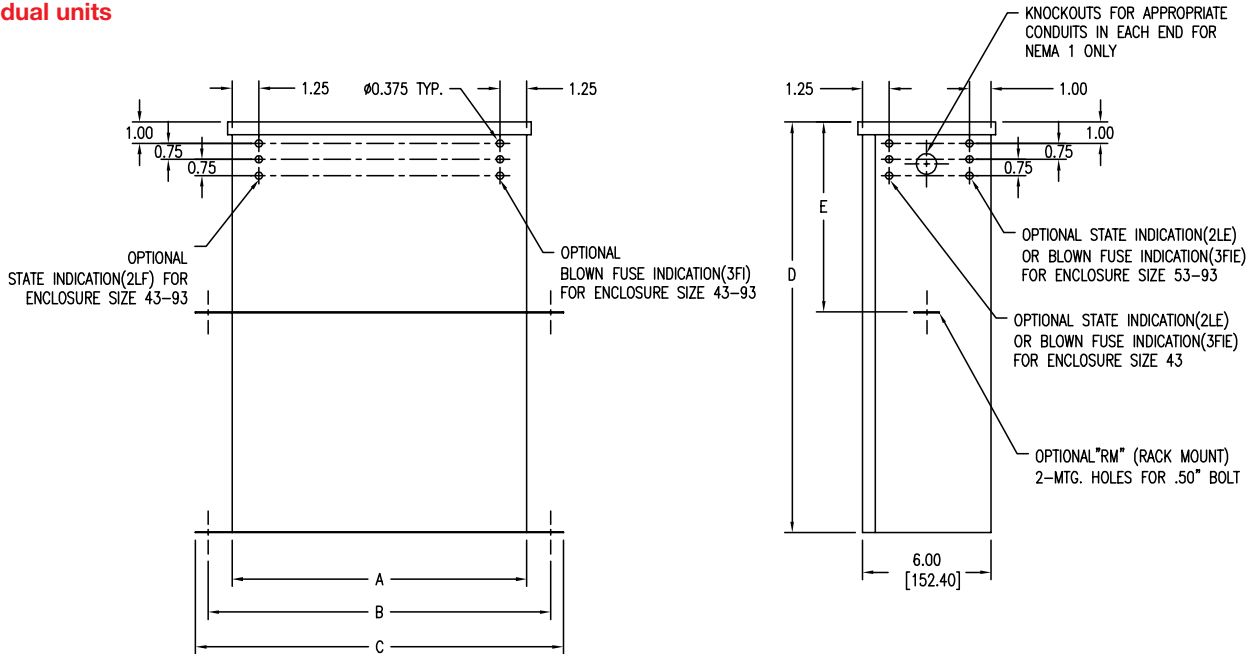
480 Volt, 60 Hz, 3 phase

Enclosure size	kvar rating	Rated current per phase (amps)	Approx. shipping weight (lbs)	Enclosure type	
				Indoor — NEMA 1	
				Catalog number	
13	0.9	1.1	6	C481G0.9SC	
	1.5	1.8	6	C481G1.5SC	
	2	2.4	6	C481G2SC	
	2.5	3.0	6	C481G2.5SC	
	3.5	4.2	6	C481G3.5SC	
	4	4.8	6	C481G4SC	
	5	6.0	6	C481G5SC	
	6	7.2	6	C481G6SC	
	7.5	9.0	6	C481G7.5SC	
	8	9.6	6	C481G8SC	
	9	10.8	6	C481G9SC	
	10	12.0	6	C481G10SC	
	14	16.8	6	C481G14SC	
	15	18.0	6	C481G15SC	

Approximate dimensions Individual capacitors

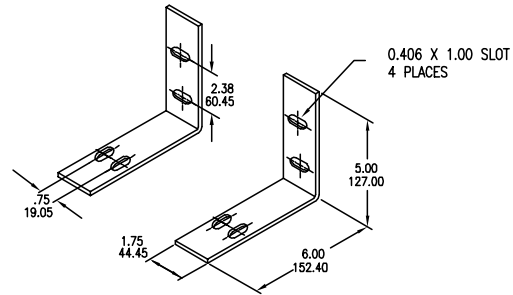
← 00.00 → Inches

Individual units

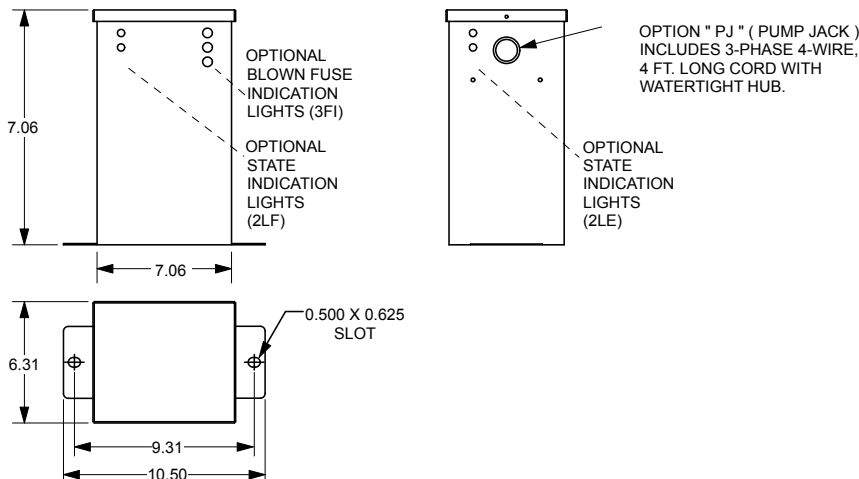


INDIVIDUAL CAPACITOR UNITS						
ENCLOSURE SIZE	A	B	C	D	CONDUIT KNOCKOUT SIZES	RM
						E
43	7.06 179.0	9.31 236.5	10.50 267.0	10.93 278.0	.50 - .75 12.7 - 19.0	N/A
53	13.75 349.0	16.00 406.0	17.18 436.0	12.31 312.0	.75 - 1.0 19.05 - 25.4	5.00 127.0
63	13.75 349.0	16.00 406.0	17.18 436.0	19.18 487.0	1.0 - 1.25 25.4 - 31.75	8.87 225.0
83	13.75 349.0	16.00 406.0	17.18 436.0	26.56 675.0	1.25 - 1.50 31.75 - 38.0	8.87 225.0
93	13.75 349.0	16.00 406.0	17.18 436.0	30.56 776.0	-	8.87 225.0

WALL MOUNTING BRACKET KIT (WM83K)
FOR ENCLOSURE SIZES 43, 53, 63, 83, 93



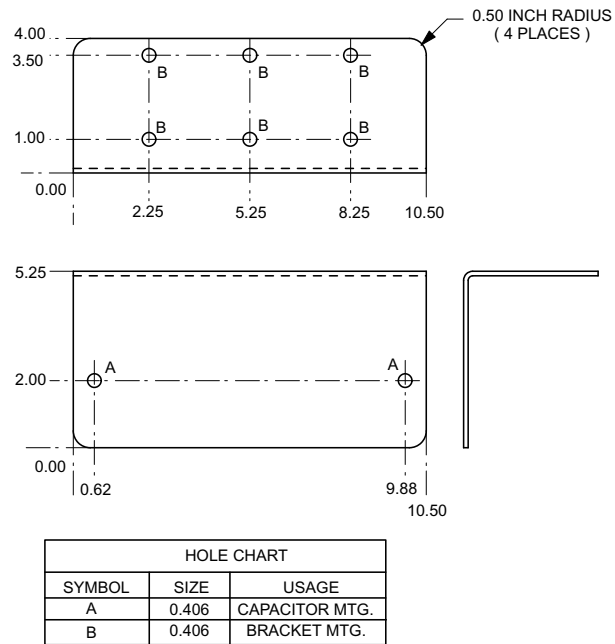
Pump jack capacitor – Steel, enclosure size 43



Approximate dimensions Individual capacitors

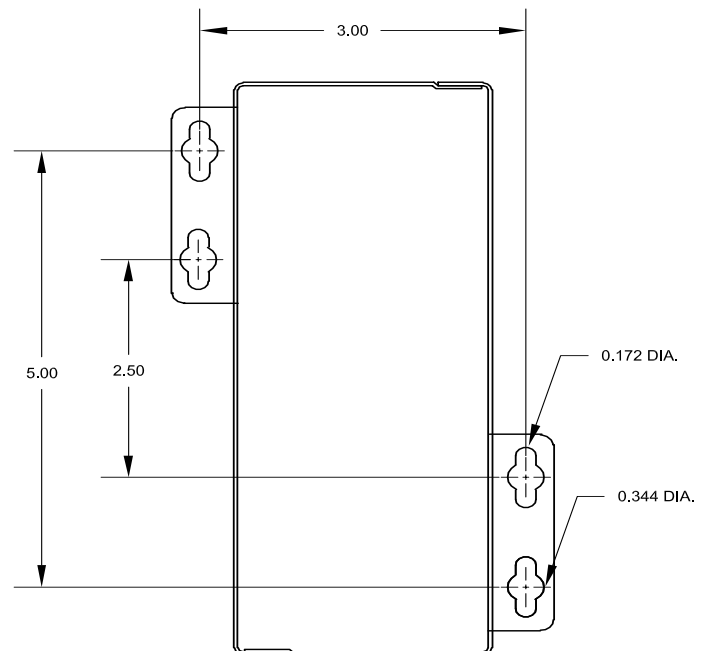
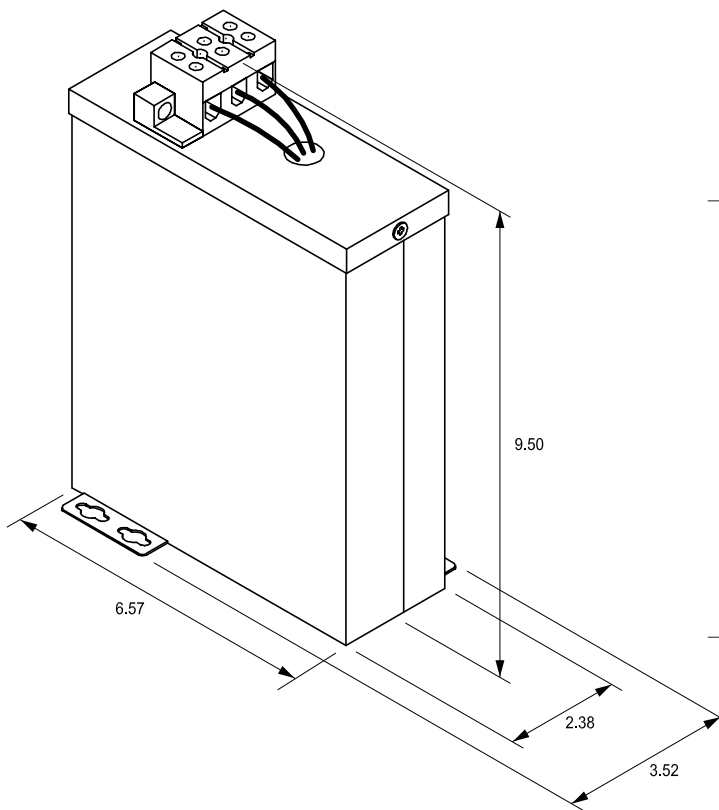
← 00.00 → Inches

Pole mounting bracket for "PJ" (pump jack) capacitors



CLMD-13

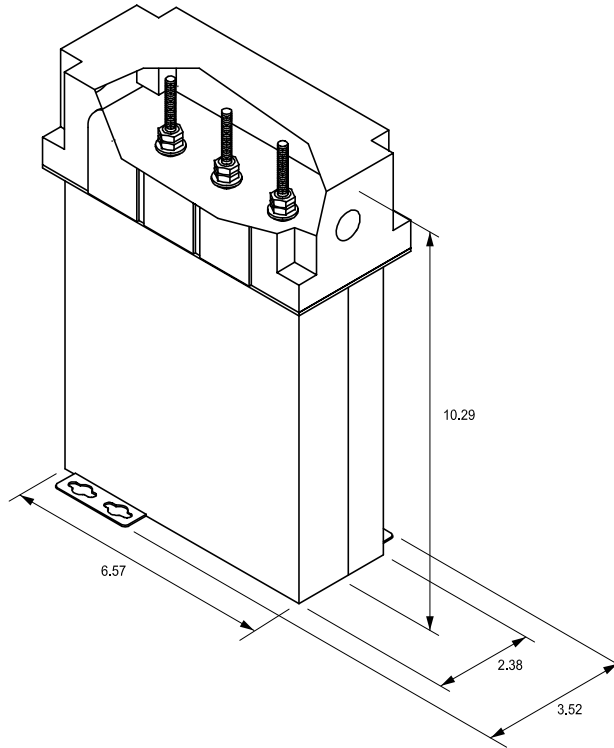
CLMD-13 Drill plan



Approximate dimensions Individual capacitors

←00.00→ Inches

CLMD-13SC — stud connected



CLMD-13SC — expanded view

