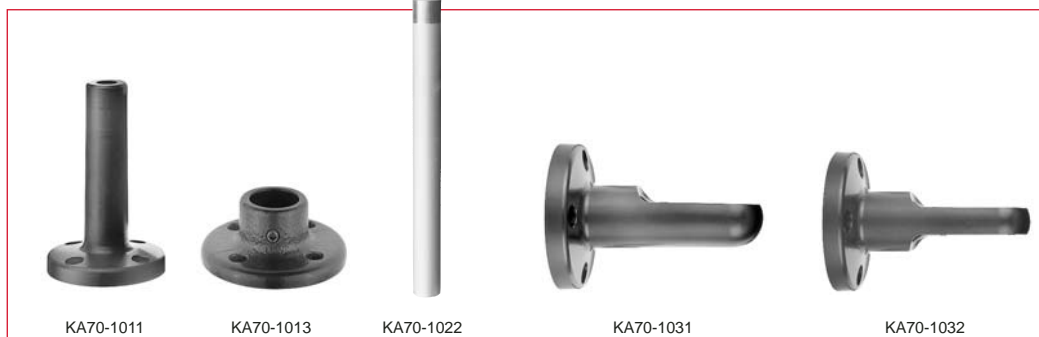


Stacklights Accessories

Pilot Devices
Stacklights
Signal Beacons



Audible modules

Voltage range	Catalog number	List price
Buzzer element: continuous pulse tone, 85dB 230VAC 24VAC/DC 115VAC/DC	KB70-1201 KB70-3001 KB70-3101	\$ 115 95 115
Siren element: 8 different tones adjustable volume, 100dB 24VAC/DC 115VAC/DC 230VAC/DC	KS70-3004 KS70-1104 KS70-1204	145 155 155
Siren element: continuous tone, 108dB 24VDC	KS70-2002	100
Siren element: 7 different tones adjustable volume, 100dB 24VDC	KS70-2004	145

Terminal elements ^①

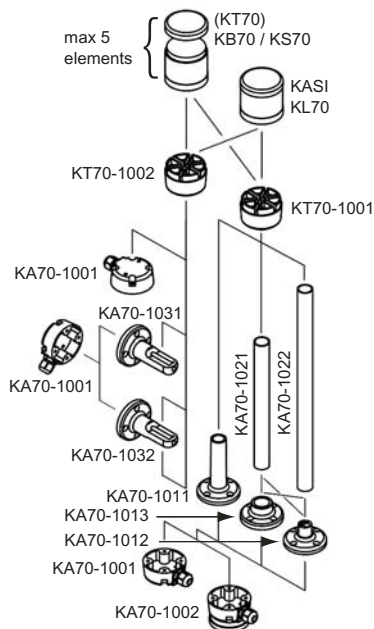
Voltage range	Catalog number	List price
For tube mounting For bracket or base	KT70-1001 KT70-1002	\$ 40

Special parts

Item	Catalog number	List price
Contact box Cable exit at side Magnetic base	KA70-1001 KA70-1002	\$ 23 65
Base with tube D=25mm L=110mm	KA70-1011	33
Base for tube D= 25mm, plastic D= 25mm, metal	KA70-1012 KA70-1013	15 32
Tube D= 25mm L=250mm D= 25mm L=400mm	KA70-1021 KA70-1022	20 27
Bracket 1-sided mounting 2-sided mounting	KA70-1031 KA70-1032	20

AS-Interface module

Voltage range	Catalog number	List price
18.5 – 31.6 VAC/DC 18.5 – 31.6 VAC/DC (for external voltages)	KASI-4101 KASI-4102	\$ 300



① Each signal tower assembly must contain a terminal element.