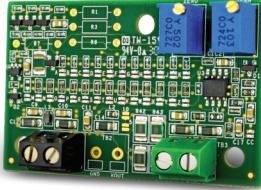




BOARD ONLY

Calibrated Transmitter, No Sensor



The ACI Transmitter Board Only Series features a two-wire, 4 to 20 mA loop powered output signal with optional 3-Wire voltage output signals available. Sensors are not included with the board only transmitter since they are designed to be used with any existing 100 or 1000 Ohm Platinum RTD sensor with a 385 temperature coefficient. All transmitters must be ordered with the temperature span that you require, since the boards are tuned to give you the best performance characteristics for the temperature span specified. Zero and Span adjustments are available for recalibration in the field when using NIST Certified equipment. We recommend the use of an 18 to 22 AWG shielded cable for all temperature transmitter installations to protect against the introduction of noise onto the signal lines. For applications in which a much you are

looking for increased temperature performance and a higher level of corrosion and moisture resistance, our Ruggedized (Thermally Conductive Epoxy Coated) transmitters are also available. ACI does offer recalibration services for any transmitters sent back to us for a nominal fee.

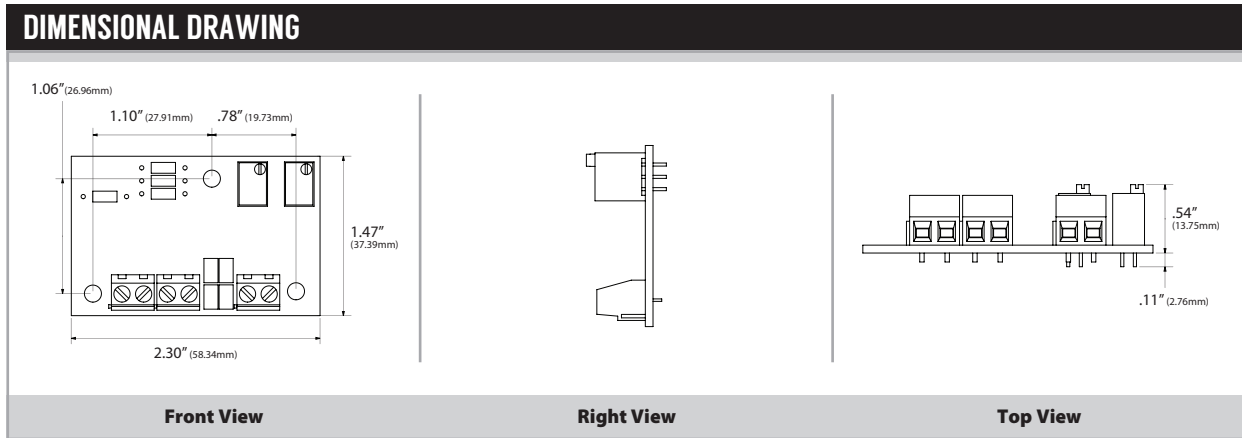
Applications: Replacement Temperature Transmitters, High Moisture and Corrosive Environments, Conversion of existing Platinum 2 or 3 Wire RTD's to linear current or voltage output signal, transmit signals over long wire runs

PRODUCT SPECIFICATIONS

Transmitter Supply Voltage Supply Current:	+8.5 to 32 VDC (Reverse Polarity Protected) 25 mA minimum
Maximum Load Resistance:	250 Ohm Load: +13.5 to 32 VDC 500 Ohm Load: +18.5 to 32 VDC (Terminal Voltage - 8.5 V) / 0.020 A
Transmitter Output Signals:	Current: 4-20 mA (2-Wire, Loop Powered) Voltage: 1-5 VDC or 2-10 VDC (3-Wires)
Calibrated Accuracy Linearity¹:	Temp. Spans < 500°F (260°C): +/- 0.2% Temp. Spans > 500°F (260°C): +/- 0.5%
Temperature Drift²:	Temp. Spans < 100°F (38°C): +/- 0.04%/°F Temp. Spans > 100°F (38°C): +/- 0.02%
Calibrated Temperature Spans¹:	Minimum Temp. Span: 50°F (28°C) Maximum Temp. Span: 1000°F (538°C)
Sensor Type Accepted Sensor Curve:	Platinum RTD PTC (Positive Temperature Coefficient)
Sensor Resistance Characteristics (Nominal):	A/TT100 Series: 100 Ohms @ 32°F (0°C) A/TT1K Series: 1000 Ohms @ 32°F (0°C)
Sensor Din Standard Temperature Coefficient:	DIN EN 60751 (IEC 751) 3850 ppm / °C
Warm Up Time Warm Up Drift:	10 Minutes +/- 0.1%
Operating Temperature Range:	-40°F to 185°F (-40 to 85°C)
Storage Temperature Range:	-40 to 80°C (-40 to 176°F)
Operating Humidity Range:	0 to 90%, non-condensing
Connections Wire Size:	Screw Terminal Blocks (Non-Polarity Sensitive) 16 AWG (1.31 mm ²) to 26 AWG (0.129 mm ²)
Terminal Block Torque Rating	0.37 ft-lb (0.5 Nm) nominal
Conformal Coating Material:	UV Curable, Acrylated Polyurethane
Conformal Coating Approval Ratings:	MIL-I-46058C Qualified and IPC-CC 830 UL File Number E105698
Dielectric Withstand Voltage Rating:	> 1500 volts / MIL-I-46058C
Insulation Resistance:	8.0 x 10 ¹⁴ Ohms (800 Tera Ohms), per MIL-I-46058C
Moisture Insulation Resistance:	4.7 x 10 ¹⁰ Ohms (47 Giga Ohms), per MIL-I-46058C
Conformal Coating Flammability Rating:	UL94-V0
Conformal Coating Temperature Rating:	-65 to 125°C (-85 to 257°F)
Resistance to Chemicals Fungus Resistant:	Excellent Pass per ASTM G21
Mounting Configuration:	Three Adhesive Standoffs included
Standoff Material Type Flammability Rating:	Nylon 66 UL94-V2
Standoff Temperature Rating:	-40 to 85°C (-40 to 185°F)
Standoff Dimensions:	0.70" (17.8 mm) x 0.70" (17.8 mm) x 0.65" (16.5 mm)
Product Dimensions (L x W x H) Product Weight:	2.30" (58.42 mm) x 1.478" (37.54 mm) x 0.775" (19.69 mm) 0.034 lbs. (15.4 g)
Agency Approvals:	RoHS2, WEEE

Note¹: Transmitter's calibrated at 71°F (22°C) nominal | **Note²:** Temperature Drift is referenced to 71°F nominal calibration temperature





STANDARD ORDERING

Model # Example: **A/TT100-BO-4** -OR- **118462**

Model #	Item #	Description
A/TT100-BO-1	118459	TT100 Board Only with 1-5 VDC Output and Adhesive Standoffs (Specify Temperature Span)
A/TT100-BO-2	118460	TT100 Board Only with 2-10 VDC Output and Adhesive Standoffs (Specify Temperature Span)
A/TT100-BO-4	118462	TT100 Board Only with 4-20 mA Output and Adhesive Standoffs (Specify Temperature Span)
A/TT1K-BO-1	118689	TT1K Board Only with 1-5 VDC Output and Adhesive Standoffs (Specify Temperature Span)
A/TT1K-BO-2	118692	TT1K Board Only with 2-10 VDC Output and Adhesive Standoffs (Specify Temperature Span)
A/TT1K-BO-4	118694	TT1K Board Only with 4-20 mA Output and Adhesive Standoffs (Specify Temperature Span)

CUSTOM ORDERING

Model # Example: **A/ TT100 BO 1 0 to 40°C**

		MODEL #
A. Sensor Series <i>No Selection Required</i>	A/ _____ →	A/
B. Model Series <i>Select One (1)</i>	TT100 = Accepts 100 Ohm Platinum RTD TT1K = Accepts 1K Ohm Platinum RTD	
C. Configuration <i>No Selection Required</i>	BO = Board Only _____ →	BO
D. Output Signal <i>Select One (1)</i>	1 = 1 to 5 VDC 2 = 2 to 10 VDC 4 = 4 to 20 mA	
E. Calibrated Span	Specify Span in °F or °C (Best Accuracy in 100°F Increments)	

