

NEMA Type 4X JIC

Continuous Hinge Clamped Cover Enclosures

JN4XHSS Series Stainless Steel Enclosures

Standard Features

- Continuous Hinge (removable hinge pin)
- Wall mounting flange / foot
- Watertight urethane gasket
- Stainless steel clamps and screws
- Four #10-32 weld nuts for optional mounting panel (mounting panel sold separately)
- Grounding studs on inside of box and cover

Design Options

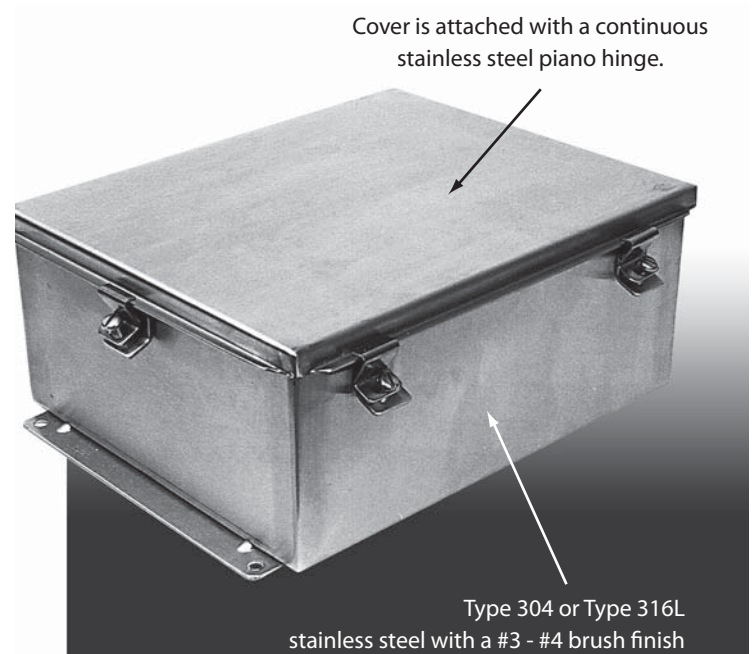
- Painted steel and stainless steel mounting panels
- Laser cut entries or cut-outs
- Terminal blocks or other component assembly
- Swing panel / dead front panel
- Padlock provisions
- Quick release latches
- Epoxy paint or powder coating
- Custom sizes
- 12 gauge material thickness

Material

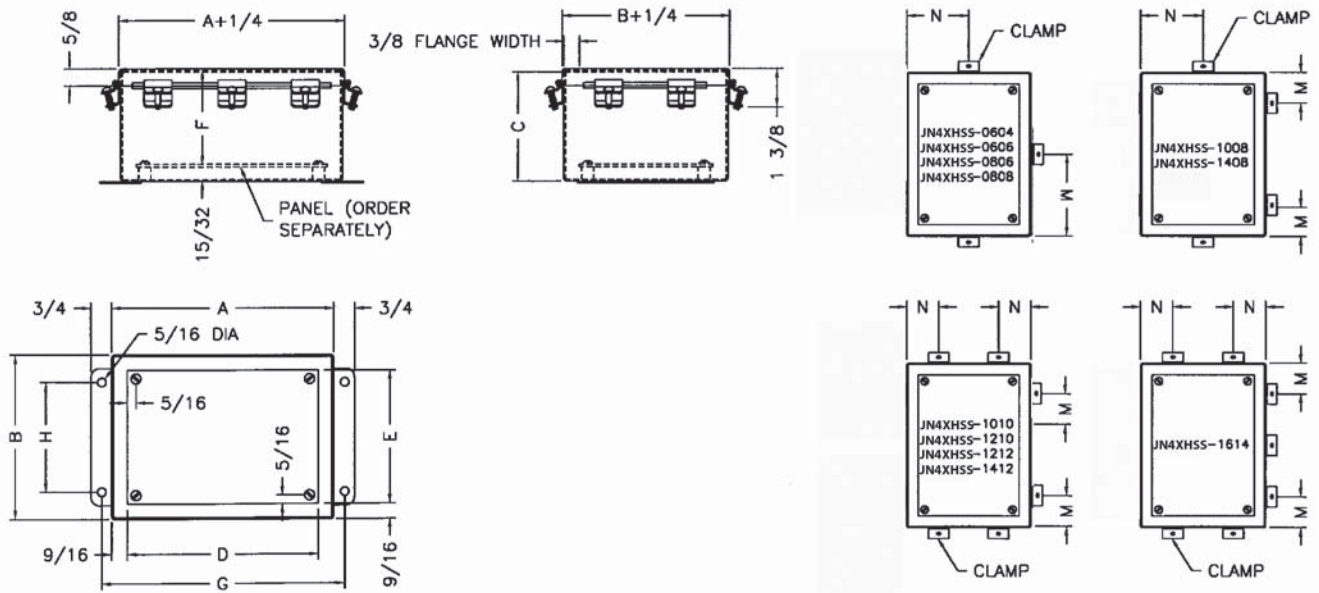
- 14 and 16 gauge / Type 304 or 316L stainless steel
- Stainless steel hardware
- #3 / #4 brushed finish

Certifications

- NEMA Type 3, 3R, 4, 4X, 12, and 13
- UL50
- cULus Listed



NEMA Type 4X JIC



20/20 View

STAINLESS STEEL 304 or 316L

ENCLOSURE	Gauge*	Box Dimensions			Panel Cat No. optional	Panel Dimensions			Mounting		Clamps	
		A	B	C		D	E	F	G	H	M	N
JN4XHSS-060403	16	6.00	4.00	3.00	06P04	4.88	2.88	2.55	6.75	2.00	3.00	2.00
JN4XHSS-080604	14	8.00	6.00	4.00	08P06	6.88	4.88	3.55	8.75	4.00	4.00	3.00
JN4XHSS-060404	16	6.00	4.00	4.00	06P04	4.88	2.88	3.55	6.75	2.00	3.00	2.00
JN4XHSS-060604	16	6.00	6.00	4.00	06P06	4.88	4.88	3.55	6.75	4.00	3.00	3.00
JN4XHSS-080804	14	8.00	8.00	4.00	08P08	6.88	6.88	3.55	8.75	6.00	4.00	4.00
JN4XHSS-100804	14	10.00	8.00	4.00	10P08	8.88	6.88	3.55	10.75	6.00	1.63	4.00
JN4XHSS-121005	14	12.00	10.00	5.00	12P10	10.88	8.88	4.55	12.75	8.00	3.63	2.63
JN4XHSS-080606	14	8.00	6.00	6.00	08P06	6.88	4.88	5.55	8.75	4.00	4.00	3.00
JN4XHSS-100806	14	10.00	8.00	6.00	10P08	8.88	6.88	5.55	10.75	6.00	1.63	4.00
JN4XHSS-101006	14	10.00	10.00	6.00	10P10	8.88	8.88	5.55	10.75	8.00	1.63	2.63
JN4XHSS-121006	14	12.00	10.00	6.00	12P10	10.88	8.88	5.55	12.75	8.00	3.63	2.63
JN4XHSS-121206	14	12.00	12.00	6.00	12P12	10.88	10.88	5.55	12.75	10.00	3.63	3.00
JN4XHSS-140806	14	14.00	8.00	6.00	14P08	12.88	6.88	5.55	14.75	6.00	3.63	4.00
JN4XHSS-141206	14	14.00	12.00	6.00	14P12	12.88	10.88	5.55	14.75	10.00	3.63	3.00
JN4XHSS-161406	14	16.00	14.00	6.00	16P14	14.88	12.88	5.55	16.75	12.00	1.63	4.13
JN4XHSS-121008	14	12.00	10.00	8.00	12P10	10.88	8.88	7.55	12.75	8.00	3.63	2.63
JN4XHSS-141208	14	14.00	12.00	8.00	14P12	12.88	10.88	7.55	14.75	10.00	3.63	4.13
JN4XHSS-161408	14	16.00	14.00	8.00	16P14	14.88	12.88	7.55	16.75	12.00	1.63	4.13
JN4XHSS-161410	14	16.00	14.00	10.00	16P14	14.88	12.88	9.55	16.75	12.00	1.63	4.13
JN4XHSS-202010	14	20.00	20.00	10.00	20P20	18.88	18.88	9.55	20.75	18.00	3.63	3.63

NOTE For Type 316L stainless steel enclosures, add 6 after SS. (i.e. JN4XHSS6)

* All JN4XHSS6 316L boxes and covers are 14 gauge