

# AFU and AFUX Conveyor Control Switches

Pull Cord Type, Left or Right Hand, Single or Double End.

**NEC — AFUX Series:**  
Class I, Division 1 and 2, Groups C, D  
Class II, Division 1 and 2, Groups E, F, G  
Class III  
NEMA 7CD, 9EFG

**NEC — AFU Series:**  
NEMA 3, 4, 4X, 12

CONTROLS: NEC/CEC EXPLOSIONPROOF CONVEYOR SWITCHES

APPLETON™

## Applications

- Emergency stop or normal stop switch for:
  - Conveyor lines
  - Cranes
  - Unloaders
  - Bulk handling systems
- Where alarm or computer interface capabilities are needed.
- Used in the control circuit of magnetic motor starters to shut down motor driven conveyors or other machinery.
- For use in:
  - Steel mills
  - Mining ore and coal handling operations
  - Automotive and other assembly lines
  - Warehouses
  - Loading docks
  - Other industrial processes
- AFUX Series is used in Class I and II areas where flammable vapors or highly combustible dusts are present.
- AFU Series has a gasketed cover rated for NEMA 3, 3R, 4, 4X.

## Features

- Rugged torsion spring for positive actuation of flag arm.
- Stainless steel bushing may be easily reversed to increase or decrease actuation force — 6.8 or 11.3 kgs (15 or 25 lbs).
- Maximum distance between switches should not exceed 61 meters (200 feet).
- Available with two switch types:
  - A) Two circuit double break switch is rated 15 Amp, 120, 240, 480, 600 Vac, 0.5 HP 120 Vac, 1 HP 240 Vac, 0.8 Amp 115 Vdc, 0.4 Amp 230 Vdc.
  - B) Single pole/double throw switch is rated 20 Amp, 125, 250, 480 Vac, 10 Amp 125 Vac “L” tungsten lamp load, 1 HP 125 Vac, 2 HP 250 Vac, 0.5 Amp 125 Vdc, 0.25 Amp 250 Vdc.
- Switch temperature range -40 °C to +66 °C (-40 °C to +151 °F).
- Two 1” conduit openings (top and bottom).

## Standard Materials

- Housing: cast aluminum
- Flag arm: steel with red epoxy paint
- Actuator shaft, retaining ring, clevis loop and torsion springs: stainless steel

## Standard Finishes

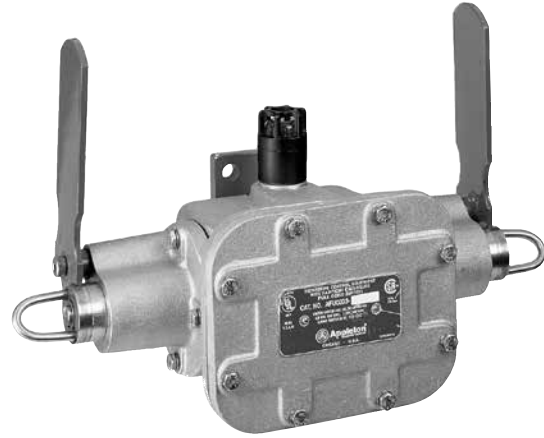
- Standard enclosure: peened

## Options

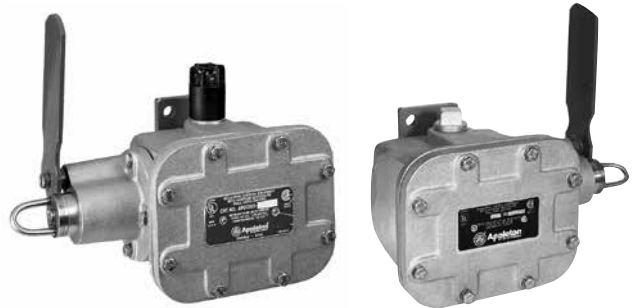
- When using in dimly lit applications, add suffix **-L** for red warning light (Only available on conveyor switches with 2 micro switches per each end. Uses top conduit opening).
- To order epoxy powder coated switches add suffix **-S752**.

## NEC Certifications and Compliances

- UL Standards: UL 508, UL 698, UL 1203
- UL Listed: E164877, E10449



Double End Unit Right and Left Handed with Option Warning Light AFU or AFUX



Left Hand Single Unit







Right Hand Single Unit

# AFU and AFUX Conveyor Control Switches

Pull Cord Type, Left or Right Hand, Single or Double End.

**NEC — AFUX Series:**  
 Class I, Division 1 and 2, Groups C, D  
 Class II, Division 1 and 2, Groups E, F, G  
 Class III  
 NEMA 7CD, 9EFG

**NEC — AFU Series:**  
 NEMA 3, 4, 4X, 12

	Left or Right	No. of Two Circuit Double Break Micro Switches	Location Type	
			Ordinary	Hazardous
 Left Hand Single	<b>15 Pound Pull Force — Single End</b>			
	Left	1	AFU0333-10	AFUX0333-10
	Right	1	AFU0333-01	AFUX0333-01
	Left	2	AFU0333-50	AFUX0333-50
 Double End	Right	2	AFU0333-05	AFUX0333-05
	<b>15 Pound Pull Force — Double End</b>			
	Double End	1, each end	AFU0333-11	AFUX0333-11
	Double End	2, each end	AFU0333-55	AFUX0333-55
 Right Hand Single	<b>25 Pound Pull Force — Single End</b>			
	Left	1	AFU0333-20	AFUX0333-20
	Right	1	AFU0333-02	AFUX0333-02
	Left	2	AFU0333-60	AFUX0333-60
	Right	2	AFU0333-06	AFUX0333-06
	<b>25 Pound Pull Force — Double End</b>			
	Double End	1, each end	AFU0333-22	AFUX0333-22
	Double End	2, each end	AFU0333-66	AFUX0333-66
	Left or Right	No. of Single Pole, Double Throw Micro Switches	Location Type	
			Ordinary	Hazardous
 Left Hand Single	<b>15 Pound Pull Force — Single End</b>			
	Left	1	AFU0333-30	AFUX0333-30
	Right	1	AFU0333-03	AFUX0333-03
	Left	2	AFU0333-70	AFUX0333-70
 Double End	Right	2	AFU0333-07	AFUX0333-07
	<b>15 Pound Pull Force — Double End</b>			
	Double End	1, each end	AFU0333-33	AFUX0333-33
	Double End	2, each end	AFU0333-77	AFUX0333-77
 Right Hand Single	<b>25 Pound Pull Force — Single End</b>			
	Left	1	AFU0333-40	AFUX0333-40
	Right	1	AFU0333-04	AFUX0333-04
	Left	2	AFU0333-80	AFUX0333-80
	Right	2	AFU0333-08	AFUX0333-08
	<b>25 Pound Pull Force — Double End</b>			
	Double End	1, each end	AFU0333-44	AFUX0333-44
	Double End	2, each end	AFU0333-88	AFUX0333-88

CONTROLS: NEC/CEC EXPLOSIONPROOF CONVEYOR SWITCHES

APPLETON™

# AFU and AFUX Conveyor Control Switch Accessories and Application

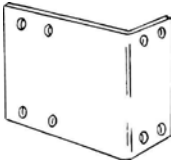

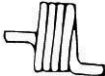

Pull Cord Type, Left or Right Hand, Single or Double End. Pull Cord Type, Left or Right Hand, Single or Double End.

**NEC — AFUX Series:**  
 Class I, Division 1 and 2, Groups C, D  
 Class II, Division 1 and 2, Groups E, F, G  
 Class III  
 NEMA 7CD, 9EFG

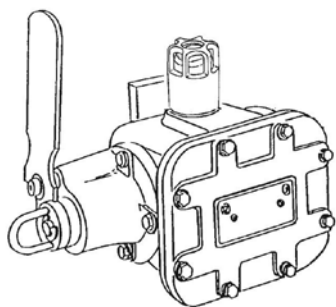
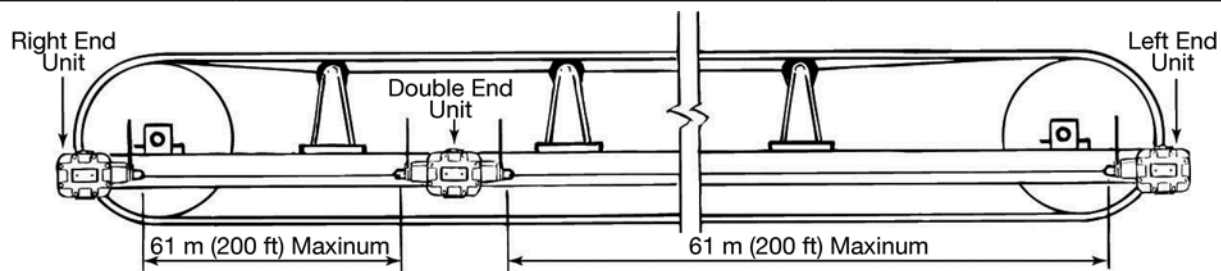
**NEC — AFU Series:**  
 NEMA 3, 4, 4X, 12

CONTROLS: NEC/CEC EXPLOSIONPROOF CONVEYOR SWITCHES

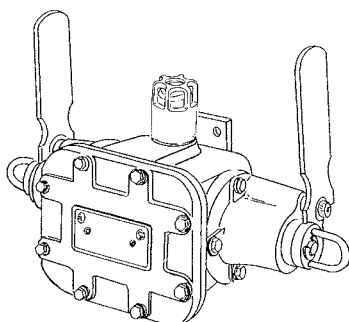
## Accessories

	Description	Catalog Number
	Mounting Bracket	AFUMB
	Replacement Torsion Spring — Left	AFUTSL
	Replacement Torsion Spring — Right	AFUTSR
	Conduit Plug 1" — 1-1/2 NPT	PLG100-S

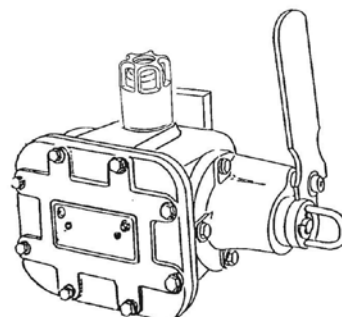
## Typical Application



Left Hand Single Unit  
(with option Warning Lamp)



Double End Unit Right and Left Handed  
(with option Warning Lamp)



Right Hand Single Unit  
(with option Warning Lamp)

# AFU and AFUX Conveyor Control Switch

Pull Cord Type, Left or Right Hand, Single or Double End.

**NEC — AFUX Series:**  
 Class I, Division 1 and 2, Groups C, D  
 Class II, Division 1 and 2, Groups E, F, G  
 Class III  
 NEMA 7CD, 9EFG

**NEC — AFU Series:**  
 NEMA 3, 4, 4X, 12

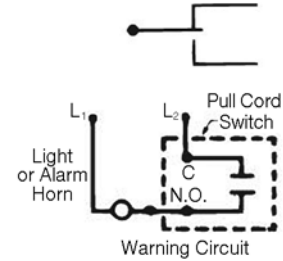
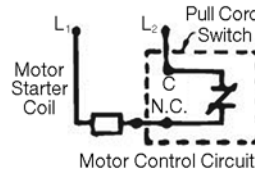
## Wiring Information

Description	Diagram
-------------	---------

### Single Pole Double Throw Circuit

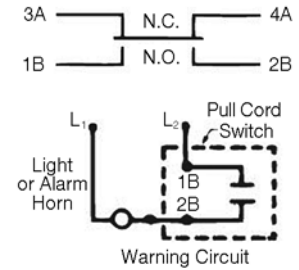
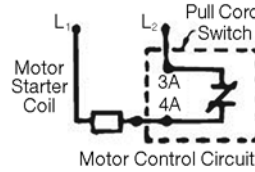
Single Pole, Double Throw Micro Switch Rating

- 20 Amps, 125, 250 or 480 Vac
- 10 Amps, 125 Vac "L" (tungsten lamp load)
- 1 HP, 125 Vac
- 2 HP, 250 Vac
- 1/2 Amp, 125 Vdc
- 1/4 Amp, 250 Vdc



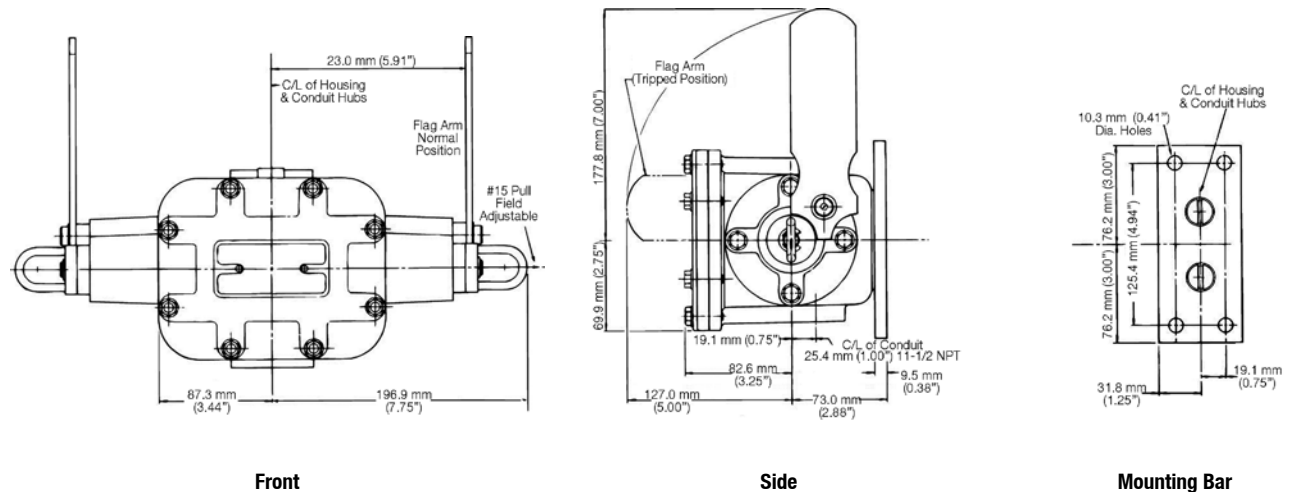
Two Circuit, Double Break Micro Switch Rating

- 15 Amps, 120, 240, 480 or 600 Vac
- 1/2 HP, 120 Vac
- 1 HP, 240 Vac
- 0.8 Amp, 115 Vdc
- 0.4 Amp, 230 Vdc 0.8, 250 Vac
- 1/2 Amp, 125 Vdc
- 1/4 Amp, 250 Vdc



Two circuit double break switches must be wired to equal voltage sources and the same polarity. Loads should be on the same side of the lines. 1B has the same polarity as 3A.

## Dimensions in Millimeters (Inches)



CONTROLS: NEC/CEC EXPLOSION-PROOF CONVEYOR SWITCHES

**APPLETON™**