

# 47.4

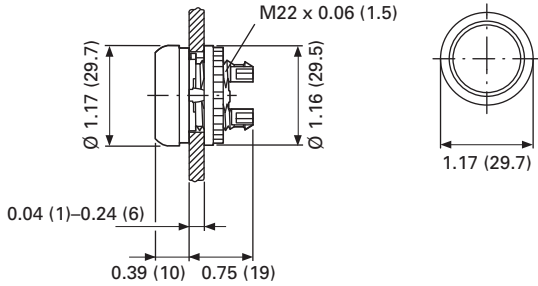
## Pushbuttons and Indicating Lights

### 22.5 mm Modular Pushbuttons—M22

#### Dimensions

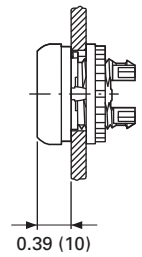
Approximate Dimensions in Inches (mm)

#### Operators and Indicating Lights

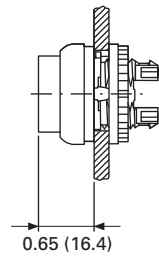


#### Pushbuttons

M22...-D\_

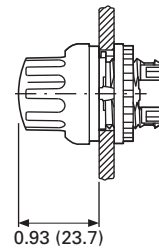


M22...-DH\_

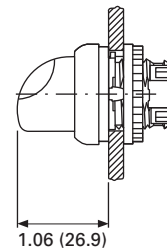


#### Selector Switches Operators

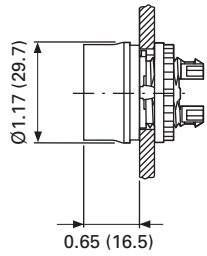
M22...-W\_



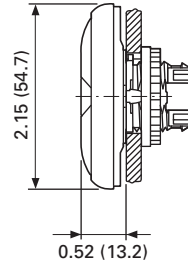
M22...-WL\_



M22-DG(L)\_

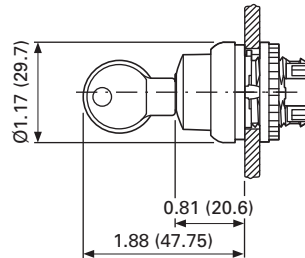


M22...-DD\_

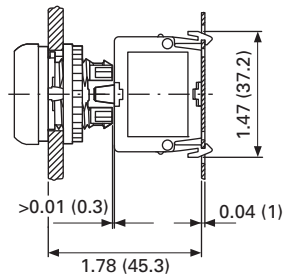


#### Key-Operated Selector Switches

M22...-W(R)S\_

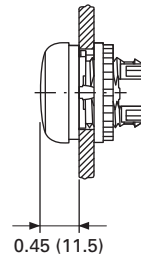


M22-D, Base Mounted



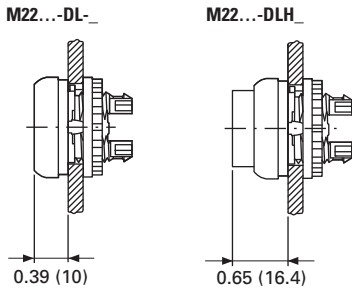
#### Indicating Light

M22-L\_

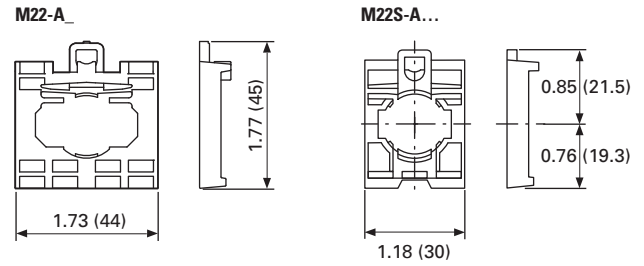


Approximate Dimensions in Inches (mm)

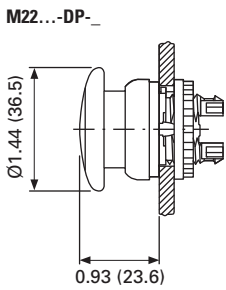
**Illuminated Pushbuttons**



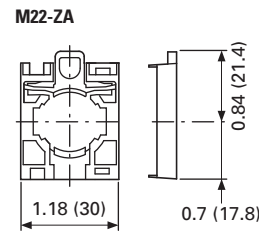
**Contact Block Mounting Adapter**



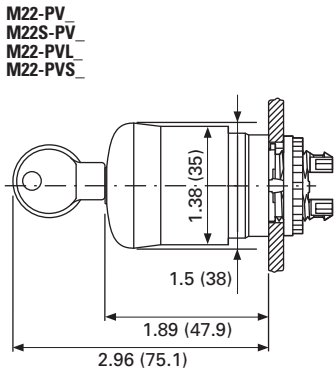
**Mushroom Head Pushbutton**



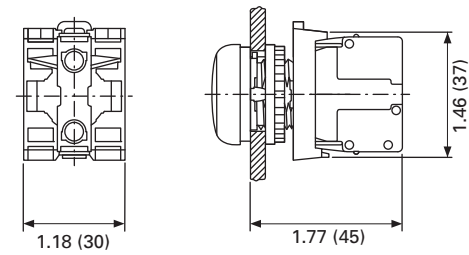
**Front Mounted Centering Adapter**



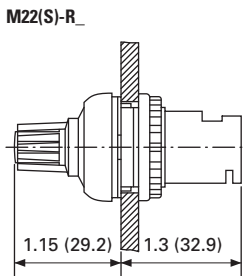
**Emergency-Stop Operators**



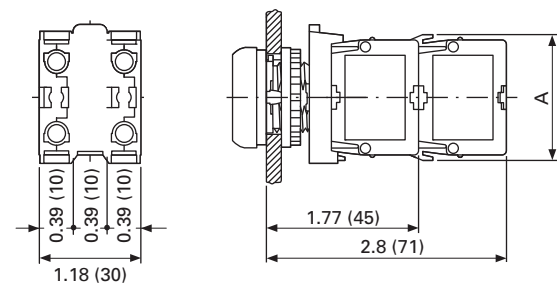
**Front Mounted Indicating Light**



**Potentiometer**



**Pushbutton, Complete Devices**



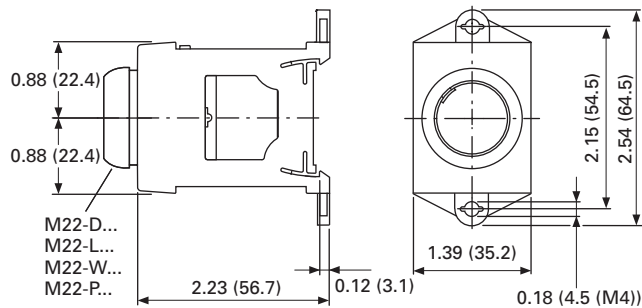
	1 x M22-K_	2 x M22-K_	1 x M22-CK_	2 x M22-CK_
A	1.46 (37.2)	1.46 (37.2)	1.54 (39.0)	1.54 (39.0)

# 47.4 Pushbuttons and Indicating Lights

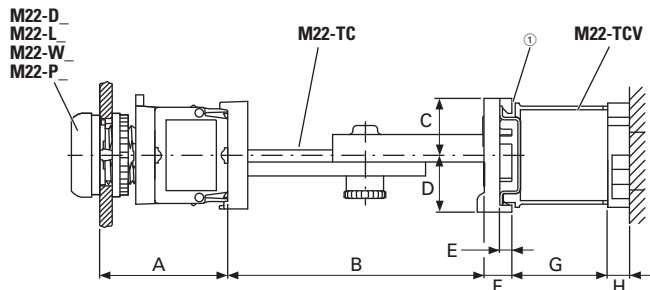
## 22.5 mm Modular Pushbuttons—M22

Approximate Dimensions in Inches (mm)

### DIN-Rail Mounting Adapter



### Pushbuttons and Indicating Lights with M22-TC Telescopic Clip and M22-TVC Extension



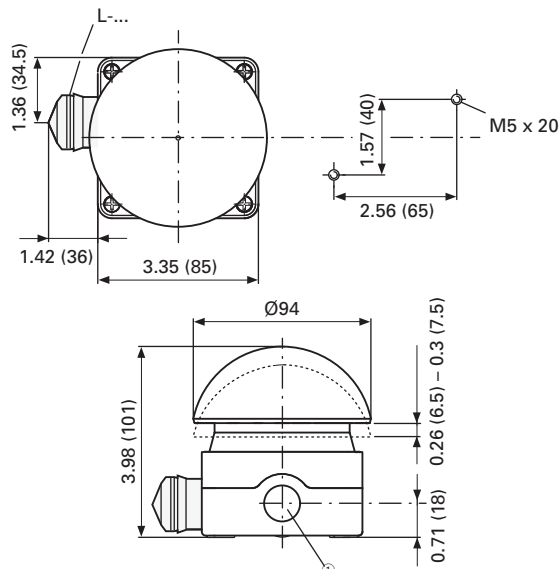
A	B	C	D	E	F	G	H
1.77 (45)	2.36–3.94 (60–100)	0.79 (20)	0.79 (20)	0.18 (4.5)	0.39 (10)	154 (39)	0.39 (10)

① Top-hat rail to IEC/EN 60715.

47

### Palm Switches

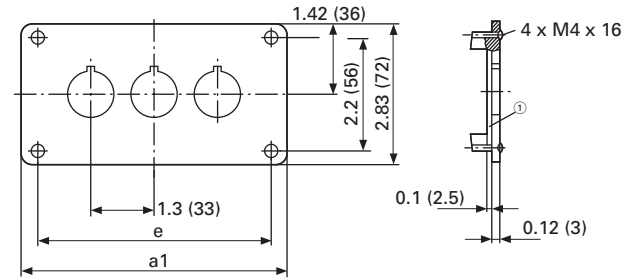
FAK\_



① 3 x M20 lateral, 1 x M16 in bottom.

### Front Mounted Mounting Plate

M22-E\_

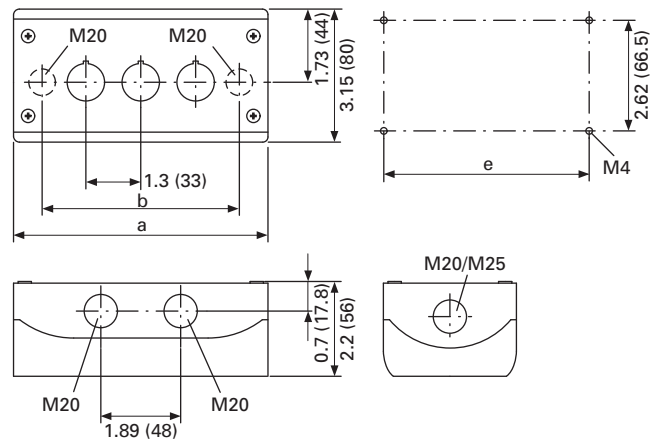


Catalog Number	a1	e
M22-E(Y) ①	2.83 (72)	2.21 (56)
M22-E2	4.13 (105)	3.50 (89)
M22-E3	5.43 (138)	4.80 (122)

Catalog Number	a1	e
M22-E4	6.73 (171)	6.10 (155)
M22-E5	8.03 (204)	7.40 (188)
M22-E6	9.33 (237)	8.70 (221)

### Base Mounted Surface Mounting Enclosure

M22-I\_

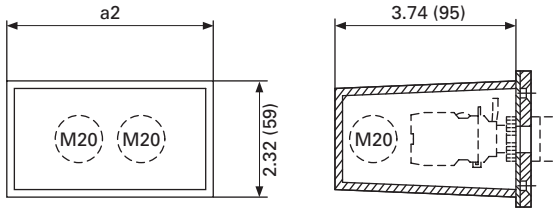


Catalog Number	Mounting Locations	a	b	e	Cable Entries
M22-I(Y)1	1	2.83 (72.0)	1.68 (42.6)	2.30 (58.5)	2 x M16 3 x M20 2 x M25
M22-I2	2	4.72 (120.0)	3.37 (85.6)	4.19 (106.5)	2 x M20 3 x M20 2 x M25
M22-I3	3	6.02 (153.0)	4.67 (118.6)	5.49 (139.5)	2 x M20 2 x M25 4 x M20
M22-I4	4	7.32 (186.0)	5.97 (151.6)	6.79 (172.5)	2 x M20 2 x M25 4 x M20
M22-I6	6	9.92 (252.0)	8.57 (217.6)	9.39 (238.5)	2 x M20 2 x M25 4 x M20

Approximate Dimensions in Inches (mm)

**Covers**

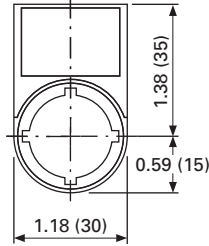
**M22-H\_**



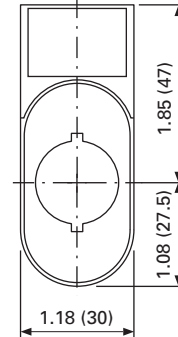
Catalog Number	a2	Cable Entry	Style
M22-H1	1.65 (42)	3 x M20	One-piece
M22-H2	2.95 (75)	4 x M20	
M22-H3	4.25 (108)	4 x M20	
M22-H4	5.55 (141)	4 x M20	Split
M22-H5	6.85 (174)	5 x M20	
M22-HE6	8.15 (207)	6 x M20	

**Legend Plates**

**M22S-ST\_**

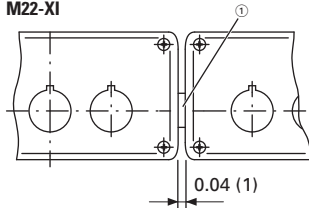


**M22S-STDD-X**

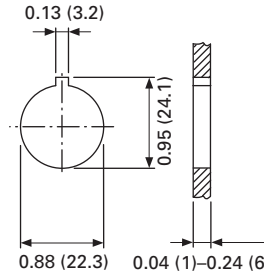


**Connecting Screw**

**M22-XI**



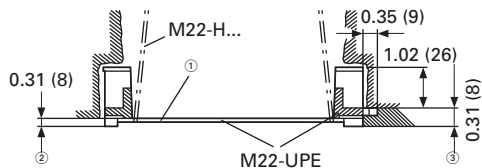
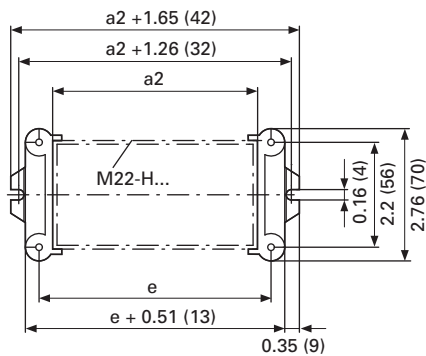
① Gasket.



**Mounting Hole with Lug Slot**

**Shroud with Plaster Keys**

**M22-UPE**



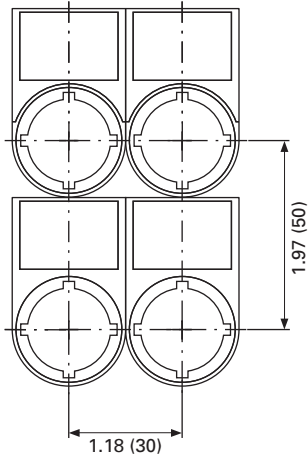
- ① Box for closing off when plastering.
- ② Plaster thickness less than 8 mm.
- ③ Plaster thickness more than 8 mm

# 47.4 Pushbuttons and Indicating Lights

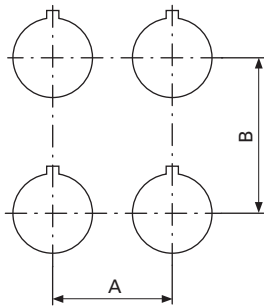
## 22.5 mm Modular Pushbuttons—M22

Approximate Dimensions in Inches (mm)

### Grid Dimension to IEC/EN 60947



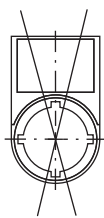
### Grid Dimension for Various Combinations



47

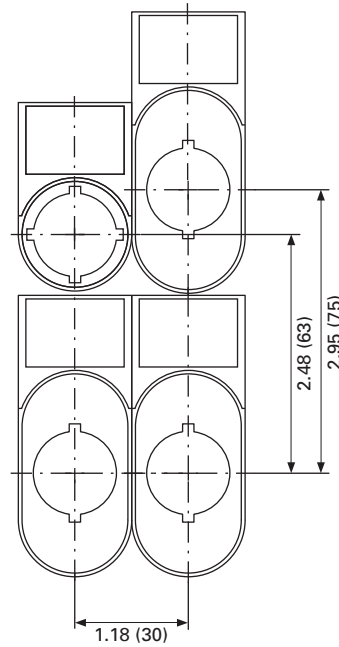
### Pushbutton Diaphragm

Pushbutton diaphragm cannot be combined with label mount.

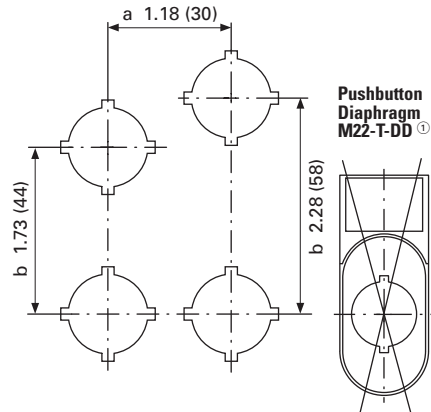


Catalog Number	A ≥	B ≥
<b>M22(S)-_ (IEC/EN 60947)</b>	1.18 (30.0)	1.97 (50.0)
<b>RMQ-Titan min.</b>	1.18 (30.0)	1.58 (40.0)
<b>M22-D_ + M22-T-D</b>	1.30 (33.0)	1.58 (40.0)
<b>M22-D(R)P_</b>	1.50 (38.0)	1.58 (40.0)
<b>M22-PV_</b>	1.50 (38.0)	1.58 (40.0)
<b>M22-PV(L) + M22-PL-PV</b>	1.89 (48.0)	2.20 (56.0)
<b>M22-PV(L)(S)_ + M22-D_</b>	1.30 (33.0)	1.58 (40.0)
<b>M22-DDL_</b>	1.18 (30.0)	2.17 (55.0)
<b>M22-DDL_ + M22-T-DD</b>	1.30 (33.0)	2.28 (58.0)
<b>M22-ST_</b>	1.18 (30.0)	1.97 (50.0)
<b>M22-STDD_</b>	1.18 (30.0)	2.95 (75.0)
<b>M22-CK_</b>	1.18 (30.0)	1.77 (45.0)
<b>M22-CLED_</b>	1.18 (30.0)	1.77 (45.0)
<b>M22-XAK_</b>	3.54 (90.0)	3.54 (90.0)
<b>M22-XZK_</b>	1.30 (33.0)	2.04 (52.0)
<b>M22-XBK_</b>	2.36 (60.0)	2.36 (60.0)
<b>M22-XYK_</b>	1.97 (50.0)	1.97 (50.0)
<b>M22-D4</b>	2.17 (55.0)	2.17 (55.0)
<b>M22-WR...4</b>	1.97 (50.0)	1.97 (50.0)
<b>M22-W...J4</b>	1.97 (50.0)	1.97 (50.0)

### Grid Dimension for M22-DD\_



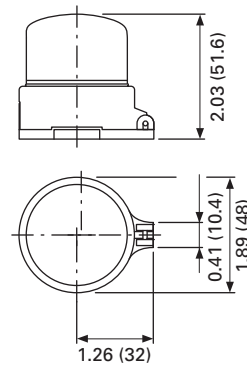
### Grid Dimension for M22-DDL\_



① Pushbutton diaphragm cannot be combined with label mount.

### Emergency Stop Sealing Cover

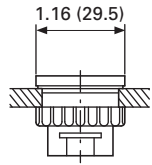
#### M22-PL-PV



Approximate Dimensions in Inches (mm)

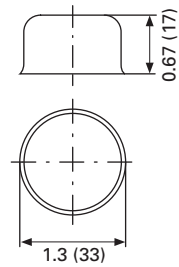
**Blanking Plugs**

M22...B-

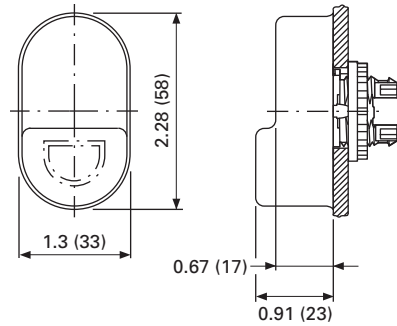


**Pushbutton Diaphragm**

M22-T-D

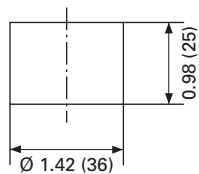


M22-T-D

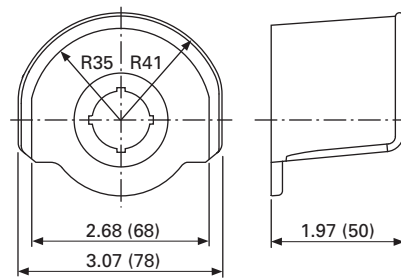


**Guard Ring**

M22-XGWK

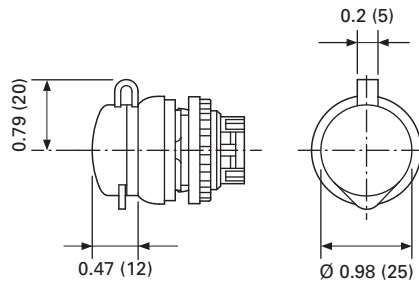


M22-XGPV



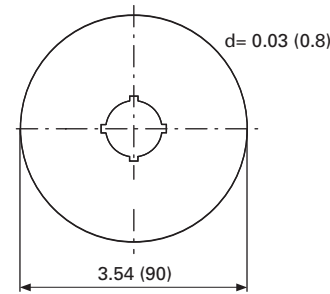
**Key Cover**

M22-XWS

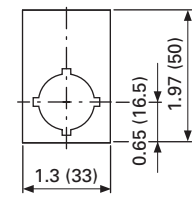


**Emergency Stop Legend Plate**

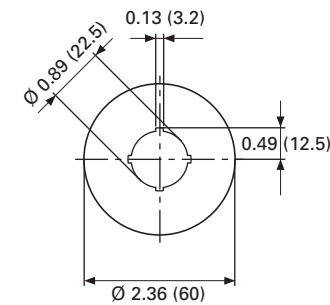
M22-XAK



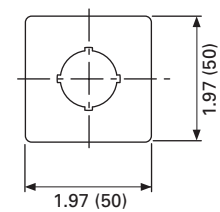
M22-X(Y)ZK



M22-XBK

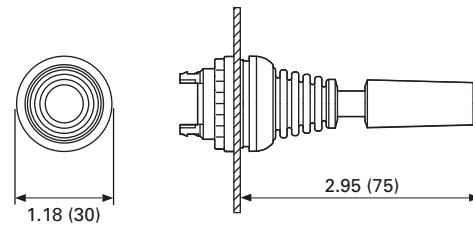


M22-XYK



**Joystick**

M22...W...J



**Four-Way Pushbutton**

M22...D...4-

