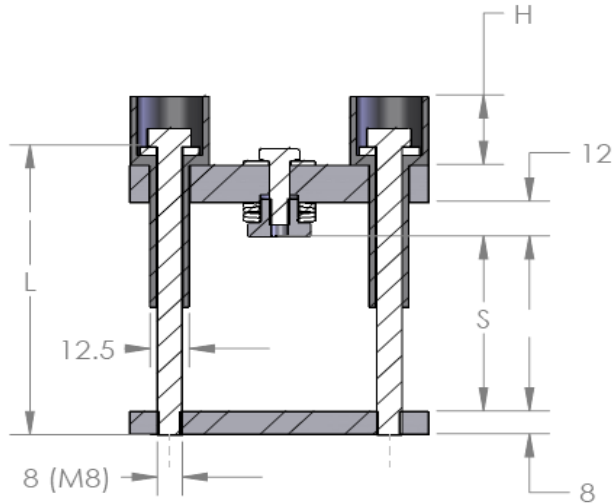
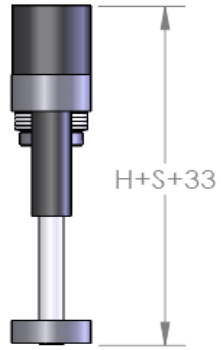
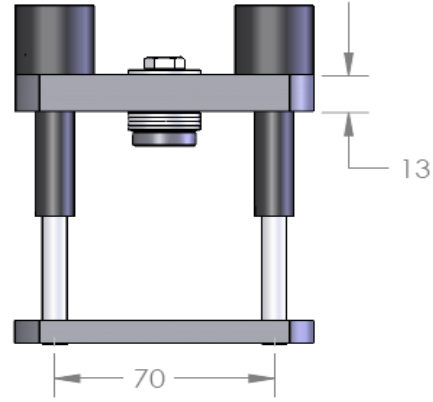
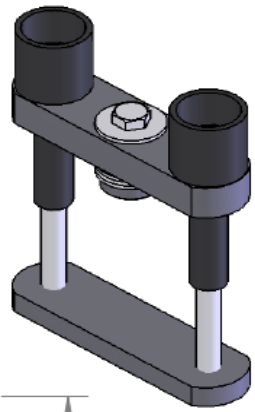
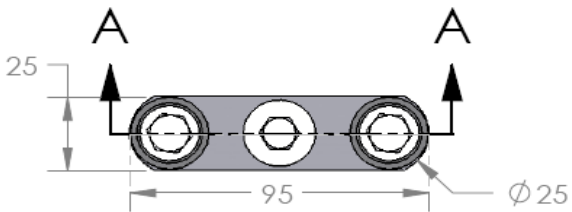


C070D KNS Bar Clamps
 WITH PRECALIBRATED FORCE
 BOLT INTERAXYS – 70 MM
 PRESET PRESSURES 5, 9.8 KN
 MAXIMUM PUK DIAMETER – 56MM

Note: Bolt insulator dimension “H” available in either 24mm or 14mm height.



| Bolt Length Calculator | | |
|--------------------------------|-------|-------|
| NOTE: ALL DIMENSIONS ARE IN MM | | |
| L | S MIN | S MAX |
| 70 | 18 | 30 |
| 80 | 28 | 40 |
| 90 | 38 | 50 |
| 100 | 48 | 60 |
| 110 | 58 | 70 |
| 120 | 68 | 80 |

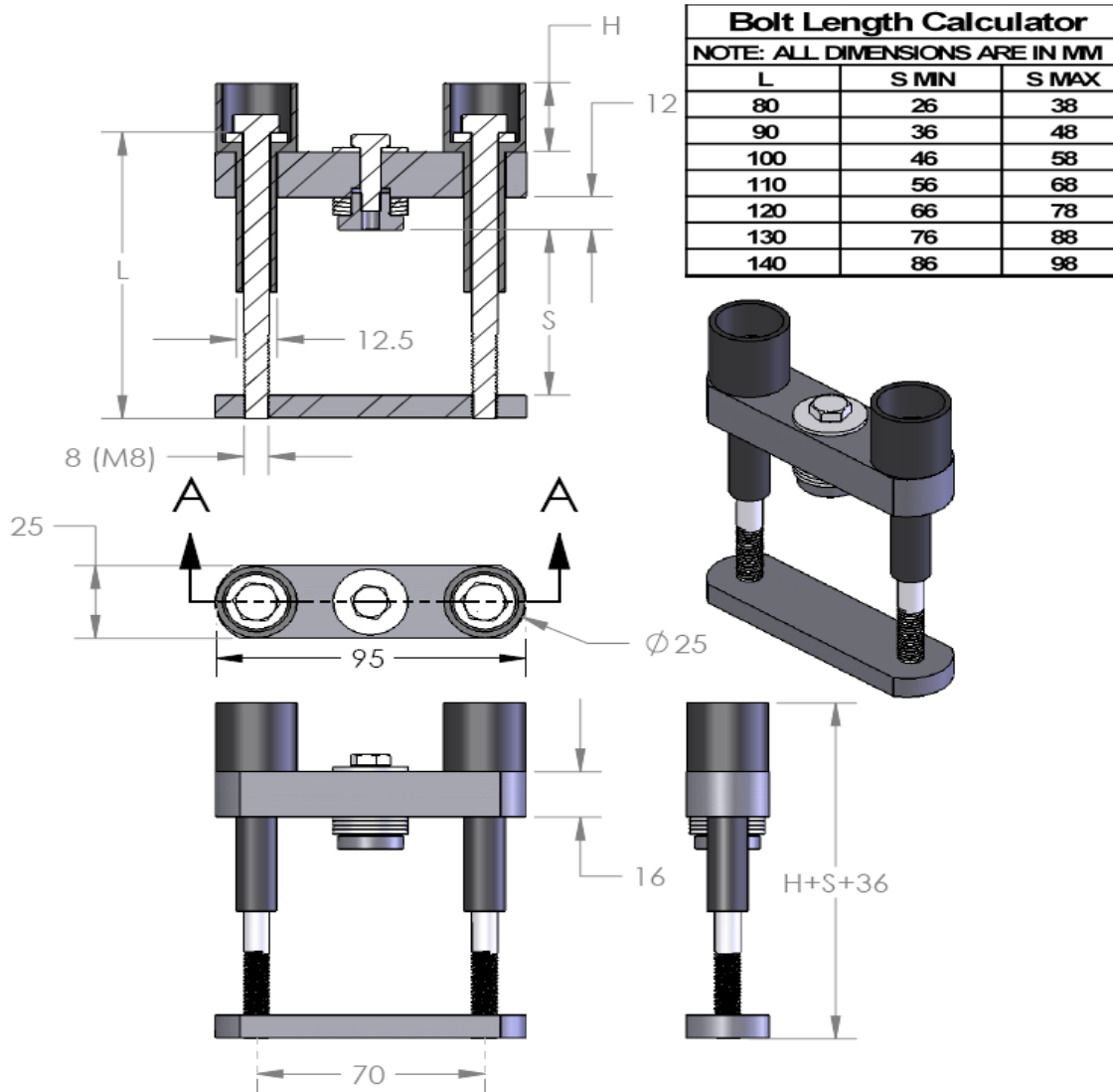


ORDERING INFORMATION EXAMPLE: C70D-5KNS-90
 CLAMP MODEL ————
 PRECALIBRATED CLAMPING FORCE = 5KN ————
 BOLT LENGTH= 90MM
 Note: Additional bolt lengths available

C070D-14KNS Bar Clamps

WITH PRECALIBRATED FORCE
 BOLT INTERAXYS – 70 MM
 PRESET PRESSURE UP TO 14 KN
 MAXIMUM PUK DIAMETER – 56MM

Note: Bolt insulator dimension “H” available in either 24mm or 14mm height.



ORDERING INFORMATION EXAMPLE: C70D-14KNS-90

CLAMP MODEL ———— ↑
 PRECALIBRATED CLAMPING FORCE = 14KN ———— ↑
 BOLT LENGTH= 90MM ———— ↑
 Note: Additional bolt lengths available