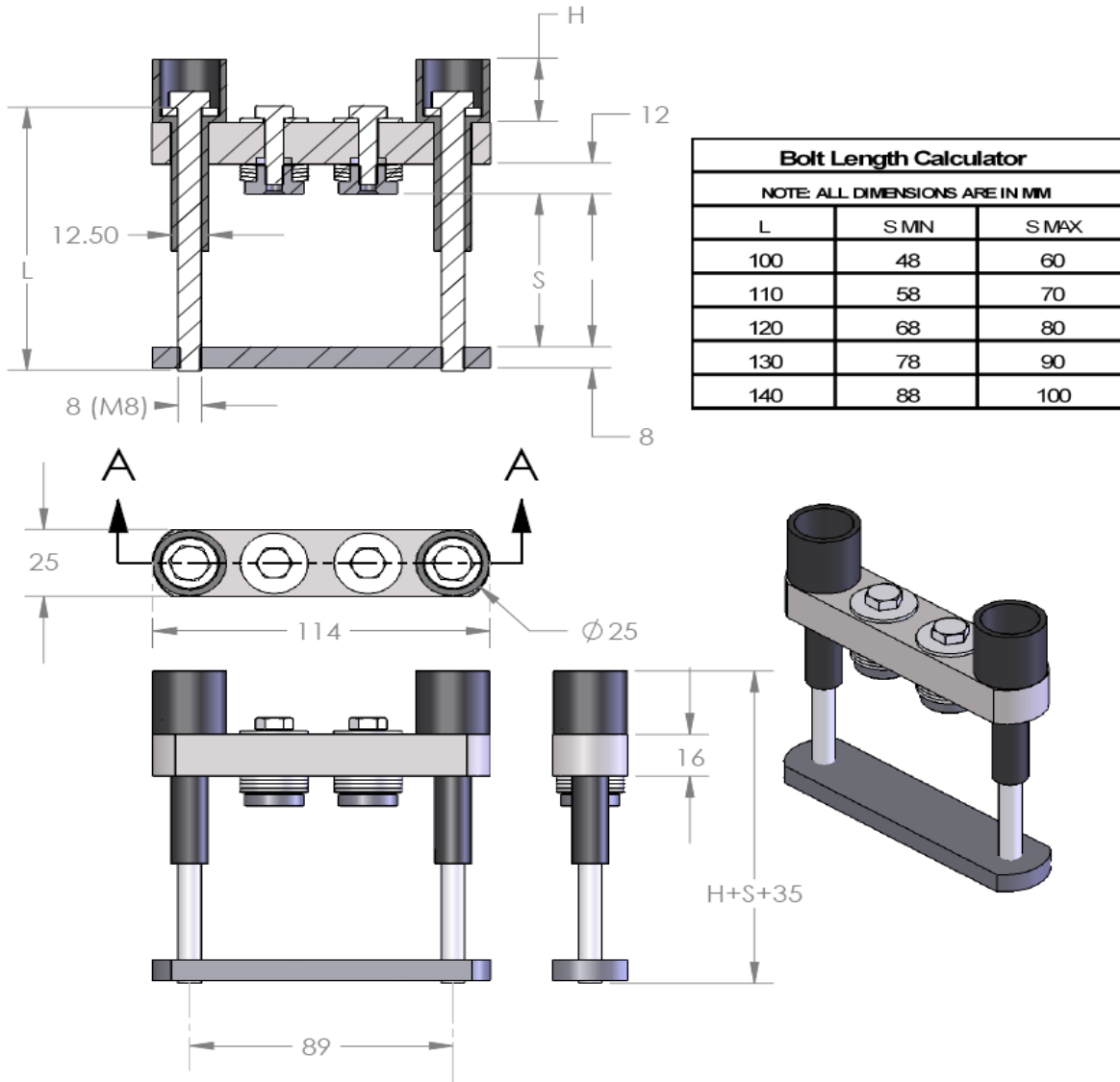


C089D KNS Bar Clamps
 WITH PRECALIBRATED FORCE
 BOLT INTERAXYS – 89 MM
 PRESET PRESSURES 14, 18, 21 KN
 MAXIMUM PUK DIAMETER – 76MM

Note: Bolt insulator dimension “H” available in either 24mm or 14mm height.



ORDERING INFORMATION EXAMPLE: C089D-18KNS-110
 CLAMP MODEL ————
 PRECALIBRATED CLAMPING FORCE = 18KN ————
 BOLT LENGTH= 110MM
 Note: Additional bolt lengths available