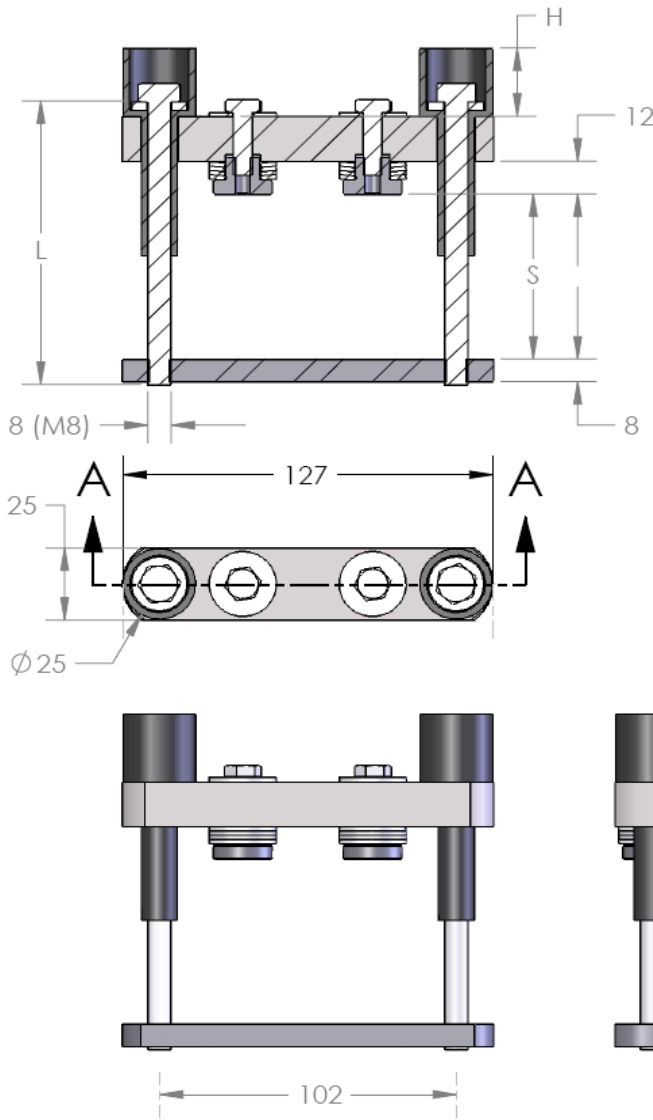


**C102B KNS Bar Clamps**  
 WITH PRECALIBRATED FORCE  
 BOLT INTERAXYS – 102 MM  
 PRESET PRESSURES 14, 18, 24 KN  
 MAXIMUM PUK DIAMETER – 88MM

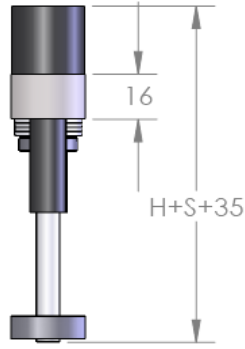
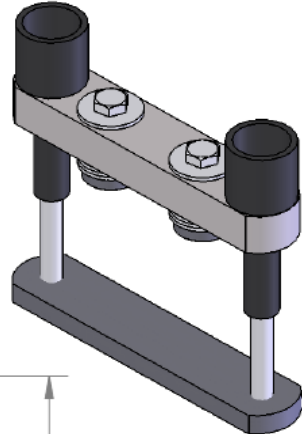
Note: Bolt insulator dimension “H” available in either 24mm or 14mm height.



**Bolt Length Calculator**

NOTE: ALL DIMENSIONS ARE IN MM

L	S MIN	S MAX
100	48	60
110	58	70
120	68	80
130	78	90
140	88	100
150	98	110
160	108	120
170	118	130



ORDERING INFORMATION EXAMPLE: C102B-22KNS-110

CLAMP MODEL  $\uparrow$   $\uparrow$  BOLT LENGTH= 110MM  
 PRECALIBRATED CLAMPING FORCE = 22KN  $\uparrow$  Note: Additional Bolt Lengths Available