



Miniature Lungen™ Buzzer

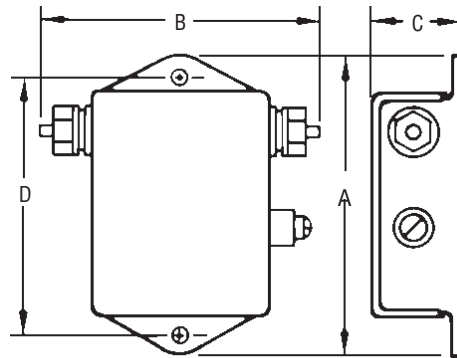
AC and DC Models

15 Series

FEATURES

- > Adjustable volume
- > Chrome cover; zinc plated base

Compact, dependable buzzer designed for long life and trouble-free installations. For installation in commercial buildings, offices, and OEM applications.



Cat No.	Volts	Amps	VA	DC Coil Res (ohms)	dB at 1m / 10 ft.	Dimension				
						A	B	C	D	
15-0AJ	5-8V DC	0.2	1.2	10	71.5 / 65.5	1 5/8" (41mm)	1 15/32" (37mm)	1/2" (13mm)	1 13/32" (36mm)	
	6-10V AC	0.3	2.4	10						
	15-0G1 15-0G5	24V DC 24V AC	0.1 0.2	2.4 4.8						120 85
15-1AB	5-10V DC	0.3	2	8	74 / 68	2 1/8" (54mm)	1 13/16" (46mm)	19/32" (15mm)	1 53/64" (46mm)	
	6-12V AC	0.45	3.5	8						
	15-1E1	12V DC	0.2	2.4						20
	15-1G1	24V DC	0.1	2.4						90
	15-1G5	24V AC	0.25	6						56
15-2AB	5-10V DC	3.5	2	6	75 / 69	2 5/8" (66mm)	2 3/8" (60mm)	15/16" (24mm)	2 3/32" (53mm)	
	6-12V AC	3.0	3	6						
	15-2G1 15-2G5	24V DC 24V AC	0.15 0.25	3.6 6						60 40
15-3AB	5-10V DC	0.3	2	5	80.5 / 74.5	3" (76mm)	2 1/2" (64mm)	7/8" (22mm)	2 3/8" (60mm)	
	6-12V AC	0.4	2.5	5						
	15-3E1	12V DC	0.2	2.4						20
	15-3G1	24V DC	0.2	4.8						44
	15-3G5	24V AC	0.25	6						30

D-04