

**Installation Instructions for Catalog Series B-KM-8140 and B-8141
Explosion Proof Adaptabuzzers and B-8698 and B-8699 Weatherproof
Adaptabuzzers**

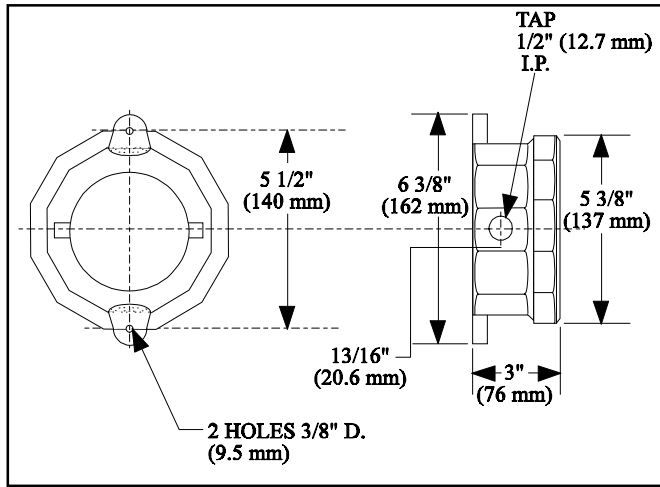


Figure 1. Dimensions

DESCRIPTION

The Edwards Catalog Series B-KM-8140, B-8141, B-8699, and B-8698 Adaptabuzzers are ideal for signaling use in areas where extremely loud signals would be distracting. The B-8698 and B-8699 and CS2690 Adaptabuzzers are gasket sealed, weatherproof units. The B-8699 unit is UL Listed.

ELECTRICAL SPECIFICATIONS

Catalog Number*	Volts	Amps	VA	Coil Res. (ohms)
B-KM-8140-E5*	12 AC 60 Hz	1.6	19.2	3.0
B-KM-8140-G5*	24 AC 60 Hz	1.1	26.4	5
B-KM-8140-N5*	120 AC 60 Hz	.2	24	146
B-KM-8140-R5*	240 AC 60 Hz	.1	24	740
B-8141-E1*	12 DC	1.6	19.2	3.0
B-8141-G1*	24 DC	.8	19.2	21.5
B-8141-P1*	125 DC	.2	25	110
B-8141-S1*	250 DC	.1	25	600
B-8699-E5*	12 AC 60 Hz	1.6	19.2	1.5
B-8699-G5*	24 AC 60 Hz	1.1	26.4	5
B-8699-N5*	120 AC 60 Hz	.2	24	146
B-8699-R5*	240 AC 60 Hz	.1	24	750
B-8698-E1	12 DC	1.5	18	4.8
B-8698-G1	24 DC	1	24	21.5
B-8698-P1	125 DC	.2	25	103.
B-8698-S1	250 DC	.1	25	600
CS2690	125 DC	.2	25	103

* 75 dB Min at 10 ft

* UL Listed

The B-KM-8140 and B-8141 Adaptabuzzers are explosion proof units and are listed for installation in the following hazardous locations:

Class	Zones	Divisions	Groups
I		1 and 2	C and D
I	1 and 2		IIA and IIB
II		1 and 2	E, F and G

INSTALLATION

WARNING

To prevent electrical shock, ensure power is off before starting installation.

1. Mount the Adaptabuzzer assembly securely to a flat surface in the desired location with (2) screws through the 3/8" (9.5 mm) diameter holes in the housing (Figure 1).
2. Remove the unit's cover.
3. Install conduit in 1/2" (12.7 mm) NPT tapped hole in side of housing (3/4" (19 mm) NPT optional).

NOTE: Conduit runs must have a sealing fitting connected within 18 inches of the enclosure.

4. Using wire nuts, connect the ground wire to the green ground wire attached to the Adaptabuzzer housing; connect the incoming power wires to the other two wire leads in accordance with applicable local codes.
5. Replace the unit's cover.

MAINTENANCE

WARNING

Ensure that all power is off before performing maintenance.

1. Inspect the unit at least once a year for damage or wear.
2. Inspect all electrical and mechanical components for internal corrosion or wire discoloration.

NOTE: When reassembling fixture, make certain that the threads and taper joint between housing and brass cover are clean.