

AdaptaBuzzer™

Explosionproof

B-KM-8140 & B-8141

FEATURES

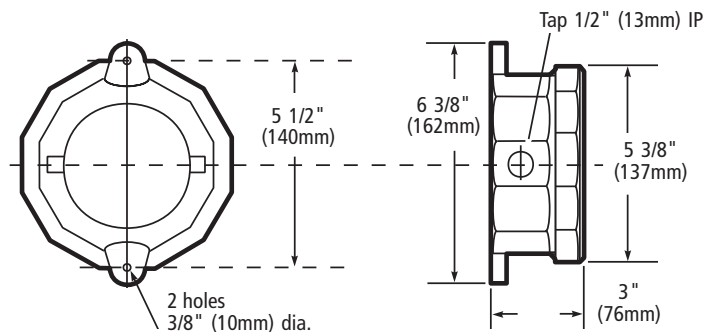
- > Cast aluminum housing and cover
- > Corrosion resistant heat flowed powder epoxy finish

AGENCY APPROVALS

- > UL 1203 Listed

The Edwards B-KM-8140 & B-8141 series AdaptaBuzzers are quality, heavy duty AC & DC buzzers designed for use in hazardous locations. The sound is produced by the hammer action of a vibrating armature against the cover. The buzzers are provided with two mounting lugs for wall mounting. A 1/2" (13mm) tapped conduit entrance is provided on one side for field wiring. Wiring connections are made in the base of the unit and the cover assembly plugs into a receptacle in the base.

For use in hazardous location areas where a distinctive, lower dB buzzer signal is required for timing, scheduling, paging, and general alarm applications. Typical installations include petroleum plants, gas plants, grain elevators, flour and paper mills, textile plants, and tankers.



Cat No.	Volts	Amps	VA	DC Coil Res (ohms)	dB at 1m / 10 ft.
B-KM-8140-G5	24V AC 60 Hz	1.1	19.2	5.0	95 / 89
B-KM-8140-N5	120V AC 60 Hz	0.2	24	146	75 dB min.
B-KM-8140-R5	240V AC 60 Hz	0.1	24	750	
B-8141-G1	24V DC	0.8	19.2	21.5	95 / 89

D-04