

# KEL-SNAP

## Mounting Frames



IP54



Integrated circular sealing (IP54)



Blank plate BPK-SNAP, see page 160

1

### Product Description

The patented KEL-SNAP frame provides a quick assembly of the KEL / KEL-U / KEL-QUICK system when necessary. Control panels, enclosures or machines can be equipped with the KEL-SNAP frame at delivery, allowing a simple push in of the KEL frame when routing the cables and conduits. Perfect for enclosures that are maintenance intensive or for an install at a later date.

A cut-out of 46 mm also can be chosen instead of 36 mm. Thus prefabricated multi-pin connectors can be used. A flat rubber gasket is included in the shipment.

### Advantages & Benefits

- Upon disassembly (e.g. maintenance) screwing and unscrewing of KEL-frame is not necessary
- Previously assembled KEL frames are quickly and easily attached
- Integrated gasket
- Mounting template identical to KEL frame (except KEL-SNAP-B4)

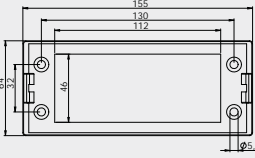
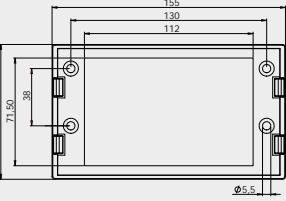
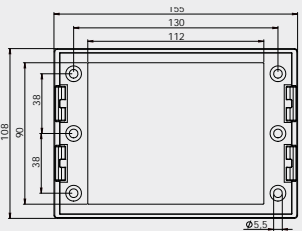
Description	Type	Order No.	Fits for	Cut-out [mm]	PU
	KEL-SNAP-B4	42038	KEL-B KEL-U-B KEL-QUICK-B	46 × 38	10
	KEL-SNAP 10	42039	KEL 10 KEL-U 10	46 × 65	10
	KEL-SNAP 16	42040	KEL 16 KEL-U 16 KEL-QUICK 16	46 × 85	10

# KEL-SNAP Mounting Frames



1

Type	Order No.	Fits for	Cut-out [mm]	PU	Description
------	-----------	----------	--------------	----	-------------

KEL-SNAP 24	42042	KEL 24 KEL-U 24 KEL-FG A KEL-QUICK 24	46 x 112	10	
KEL-SNAP 24-E	42044	KEL 24-E	71 x 112	1	
KEL-SNAP 24-MT	42046	KEL 24-MT	89 x 112	1	

## Specifications

Material	Polyamide (PA)
Flame class	UL94-Vo
IP rating	IP54 (certified acc. to EN 60529)
NEMA type rating	NEMA type 12 (acc. to UL 50E)
Temperature	- 40°C to + 140°C (static) - 40°F to + 284°F (static)
Properties	Halogen-free, silicone-free
Cut-out dimensions	See Page 192 - 193

## Accessories

KEL Cable entry frames	18 - 24
KEL-U Cable entry frames	8 - 14
KEL-QUICK Cable entry frames	50 - 51
MP Module plates	148 - 149
BPK-SNAP Blank plates	160