

/// LSIS 412i / LSIS 462i / LSIS 472i



High-performance smart camera for reliable and convenient quality control, code reading and measurement tasks. For checking for presence, completeness, type, position and orientation. The device offers omnidirectional reading of the most important 1D-/2D-codes with reference code comparison. As an additional function, the device can also be used for compartment fine positioning in the X and Y direction.



**Benefits:**

- Degree of protection IP 65/67
- Operation via webConfig with any standard browser or display
- The integrated, very homogeneous illumination makes possible working distances of up to 1,900 mm
- All interfaces (Ethernet, RS 232, 8x digital I/O) are integrated, no connection units are necessary
- Simple mounting with dovetail or threaded holes

Switching sensors

Measuring sensors

Products for safety at work

Identification

Data transmission / Control components

Industrial image processing

Accessories

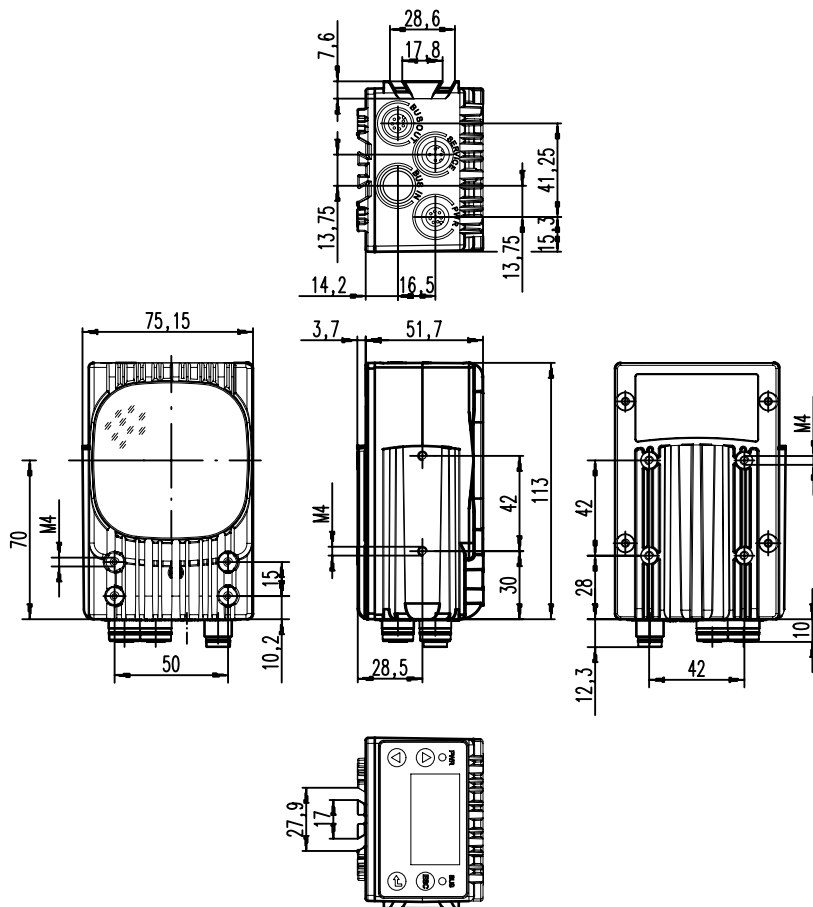
Part no.	Part description	Focal length	Optics cover	Light source	Interface	Software functions	Degree of protection
50116970	LSIS 412i M43-I1	8 mm	Glass	LED, infrared	Ethernet, RS 232	Completeness monitoring, dimension monitoring, presence monitoring, position determination, focus adjustment	IP 65, IP 67
50116969	LSIS 412i M43-I1-01	8 mm	Plastic	LED, infrared	Ethernet, RS 232	Completeness monitoring, dimension monitoring, presence monitoring, position determination, focus adjustment	IP 65, IP 67
50116972	LSIS 412i M43-M1	8 mm	Glass	LED, RGBW	Ethernet, RS 232	Completeness monitoring, dimension monitoring, presence monitoring, position determination, focus adjustment	IP 65, IP 67
50116971	LSIS 412i M43-M1-01	8 mm	Plastic	LED, RGBW	Ethernet, RS 232	Completeness monitoring, dimension monitoring, presence monitoring, position determination, focus adjustment	IP 65, IP 67
50108177	LSIS 412i M43-W1	8 mm	Glass	LED, white	Ethernet, RS 232	Presence monitoring, dimension monitoring, position determination, completeness monitoring, focus adjustment	IP 65, IP 67
50112928	LSIS 412i M43-W1-01	8 mm	Plastic	LED, white	Ethernet, RS 232	Presence monitoring, dimension monitoring, position determination, completeness monitoring, focus adjustment	IP 65, IP 67
50116974	LSIS 412i M45-I1	16 mm	Glass	LED, infrared	Ethernet, RS 232	Completeness monitoring, dimension monitoring, presence monitoring, position determination, focus adjustment	IP 65, IP 67
50116973	LSIS 412i M45-I1-01	16 mm	Plastic	LED, infrared	Ethernet, RS 232	Completeness monitoring, dimension monitoring, presence monitoring, position determination, focus adjustment	IP 65, IP 67
50116976	LSIS 412i M45-M1	16 mm	Glass	LED, RGBW	Ethernet, RS 232	Completeness monitoring, dimension monitoring, presence monitoring, position determination, focus adjustment	IP 65, IP 67
50116975	LSIS 412i M45-M1-01	16 mm	Plastic	LED, RGBW	Ethernet, RS 232	Completeness monitoring, dimension monitoring, presence monitoring, position determination, focus adjustment	IP 65, IP 67
50108990	LSIS 412i M45-W1	16 mm	Glass	LED, white	Ethernet, RS 232	Presence monitoring, dimension monitoring, position determination, completeness monitoring, focus adjustment	IP 65, IP 67
50112929	LSIS 412i M45-W1-01	16 mm	Plastic	LED, white	Ethernet, RS 232	Presence monitoring, dimension monitoring, position determination, completeness monitoring, focus adjustment	IP 65, IP 67
50117094	LSIS 412i M49-X9		Glass		Ethernet, RS 232	Completeness monitoring, dimension monitoring, presence monitoring, position determination, focus adjustment	IP 65, IP 67
50121148	LSIS 412i M49-X9-01		Plastic		Ethernet, RS 232	Dimension monitoring, completeness monitoring, presence monitoring, position determination, focus adjustment	IP 65, IP 67
50116986	LSIS 462i M43-I1	8 mm	Glass	LED, infrared	Ethernet, RS 232	Position determination, presence monitoring, completeness monitoring, reading of 1D codes, dimension monitoring, reading of 2D codes, measuring tool, focus adjustment	IP 65, IP 67
50116985	LSIS 462i M43-I1-01	8 mm	Plastic	LED, infrared	Ethernet, RS 232	Position determination, presence monitoring, completeness monitoring, reading of 1D codes, dimension monitoring, reading of 2D codes, measuring tool, focus adjustment	IP 65, IP 67
50116988	LSIS 462i M43-M1	8 mm	Glass	LED, RGBW	Ethernet, RS 232	Position determination, presence monitoring, completeness monitoring, reading of 1D codes, dimension monitoring, reading of 2D codes, measuring tool, focus adjustment	IP 65, IP 67
50116987	LSIS 462i M43-M1-01	8 mm	Plastic	LED, RGBW	Ethernet, RS 232	Position determination, presence monitoring, completeness monitoring, reading of 1D codes, dimension monitoring, reading of 2D codes, measuring tool, focus adjustment	IP 65, IP 67
50113053	LSIS 462i M43-W1	8 mm	Glass	LED, white	Ethernet, RS 232	Presence monitoring, dimension monitoring, reading of 1D codes, reading of 2D codes, position determination, completeness monitoring, measuring tool, focus adjustment	IP 65, IP 67

With the LSIS 4xxi...X9, the focal length depends on the used lens  
 Detailed information can be found online on [www.leuze.com/en/lsis412i\\_462i](http://www.leuze.com/en/lsis412i_462i)

Part no.	Part description	Focal length	Optics cover	Light source	Interface	Software functions	Degree of protection
50113052	LSIS 462i M43-W1-01	8 mm	Plastic	LED, white	Ethernet, RS 232	Presence monitoring, dimension monitoring, reading of 1D codes, reading of 2D codes, position determination, completeness monitoring, measuring tool, focus adjustment	IP 65, IP 67
50116990	LSIS 462i M45-I1	16 mm	Glass	LED, infrared	Ethernet, RS 232	Position determination, presence monitoring, completeness monitoring, reading of 1D codes, dimension monitoring, reading of 2D codes, measuring tool, focus adjustment	IP 65, IP 67
50116989	LSIS 462i M45-I1-01	16 mm	Plastic	LED, infrared	Ethernet, RS 232	Position determination, presence monitoring, completeness monitoring, reading of 1D codes, dimension monitoring, reading of 2D codes, measuring tool, focus adjustment	IP 65, IP 67
50116992	LSIS 462i M45-M1	16 mm	Glass	LED, RGBW	Ethernet, RS 232	Position determination, presence monitoring, completeness monitoring, reading of 1D codes, dimension monitoring, reading of 2D codes, measuring tool, focus adjustment	IP 65, IP 67
50116991	LSIS 462i M45-M1-01	16 mm	Plastic	LED, RGBW	Ethernet, RS 232	Position determination, presence monitoring, completeness monitoring, reading of 1D codes, dimension monitoring, reading of 2D codes, measuring tool, focus adjustment	IP 65, IP 67
50113051	LSIS 462i M45-W1	16 mm	Glass	LED, white	Ethernet, RS 232	Presence monitoring, dimension monitoring, reading of 1D codes, reading of 2D codes, position determination, completeness monitoring, measuring tool, focus adjustment	IP 65, IP 67
50113037	LSIS 462i M45-W1-01	16 mm	Plastic	LED, white	Ethernet, RS 232	Presence monitoring, dimension monitoring, reading of 1D codes, reading of 2D codes, position determination, completeness monitoring, measuring tool, focus adjustment	IP 65, IP 67
50117091	LSIS 462i M49-X9		Glass		Ethernet, RS 232	Position determination, presence monitoring, completeness monitoring, reading of 1D codes, dimension monitoring, reading of 2D codes, measuring tool, focus adjustment	IP 65, IP 67
50131438	LSIS 472i M43-I1	8 mm	Glass	LED, infrared	Ethernet, RS 232	Compartment fine positioning, focal adjustment	IP 67, IP 65
50131439	LSIS 472i M43-I1-H	8 mm	Glass	LED, infrared	Ethernet, RS 232	Compartment fine positioning, focal adjustment	IP 67, IP 65
50128424	LSIS 472i M45-I1	16 mm	Glass	LED, infrared	Ethernet, RS 232	Compartment fine positioning, focal adjustment	IP 67, IP 65
50128425	LSIS 472i M45-I1-H	16 mm	Glass	LED, infrared	Ethernet, RS 232	Compartment fine positioning, focal adjustment	IP 67, IP 65

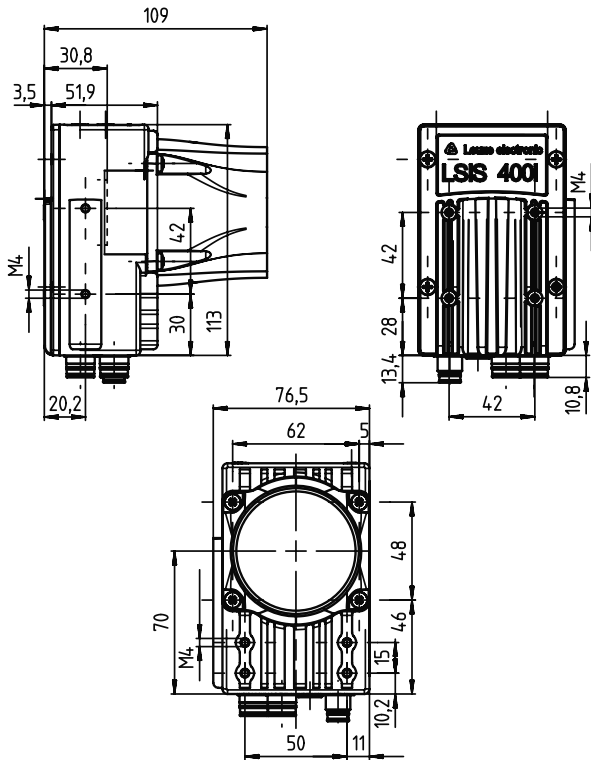
With the LSIS 4xxi...X9, the focal length depends on the used lens  
 Detailed information can be found online on [www.leuze.com/en/lsis412i\\_462i](http://www.leuze.com/en/lsis412i_462i)

**Dimensioned drawings: LSIS 412i / LSIS 462i / LSIS 472i**



LSIS 4xx stationary 2D-code reader

**Dimensioned drawings: LSIS 412i / LSIS 462i / LSIS 472i**



LSIS 4xx stationary 2D-code reader, C-Mount

Switching sensors

Measuring sensors

Products for safety at work

**ACCESSORIES: LSIS 412i / LSIS 462i / LSIS 472i**

**Connection technology**

Connection cables

Part no.	Part description	Connection 1	No. of pins	Cable length	Interface	Sheathing material
50110180	KB M12/8-5000-SA	Connector, M12, axial, male	8-pin	5,000 mm		PUR
50110172	KB M12/8-5000-BA	Connector, M12, axial, female	8-pin	5,000 mm		PUR
50106740	KB ET-5000-SA	Connector, M12, axial, male	4-pin	5,000 mm	Ethernet	PUR

Further connection cables can be found on our website

Interconnection cables

Part no.	Part description	Connection 1	Connection 1, no. of pins	Connection 2	Connection 2, no. of pins	Cable length	Interface	Sheathing material
50130631	KSS ET-M12-4A-M12-4A-P7-010	Connector, M12, axial, male	4-pin	Connector, M12, axial, male	4-pin	1,000 mm	Ethernet	PUR
50130632	KSS ET-M12-4A-RJ45-A-P7-010	Connector, M12, axial, male	4-pin	RJ45		1,000 mm	Ethernet	PUR
50109881	KB ET-5000-SA-RJ45	Connector, M12, axial, male	4-pin	RJ45		5,000 mm	Ethernet	PUR
50106900	KB ET-5000-SSA	Connector, M12, axial, male	4-pin	Connector, M12, axial, male	4-pin	5,000 mm	Ethernet	PUR

Further interconnection cables can be found on our website

**Mounting systems**

Rod mounts

Part no.	Part description	Design	Fastening at device	Fastening at system	Material
50027375	BT 56	Mounting system	Clampable	For 16 mm rod, for 18 mm rod, for 20 mm rod	Metal

Further rod mounts can be found on our website

**Reflectors for LSIS 472i**

Micro-triad-type reflectors

Part no.	Part description	Design	Reflective surface	Fastening	Material
50129092	MTKZ 15-30 SET	Round	15 mm	Clip	Plastic

Dimensional tolerances for all specified dimensions: ± 0.2 mm  
Further micro-triad-type reflectors can be found on our website

Identification

Data transmission / Control components

Industrial image processing

Accessories