


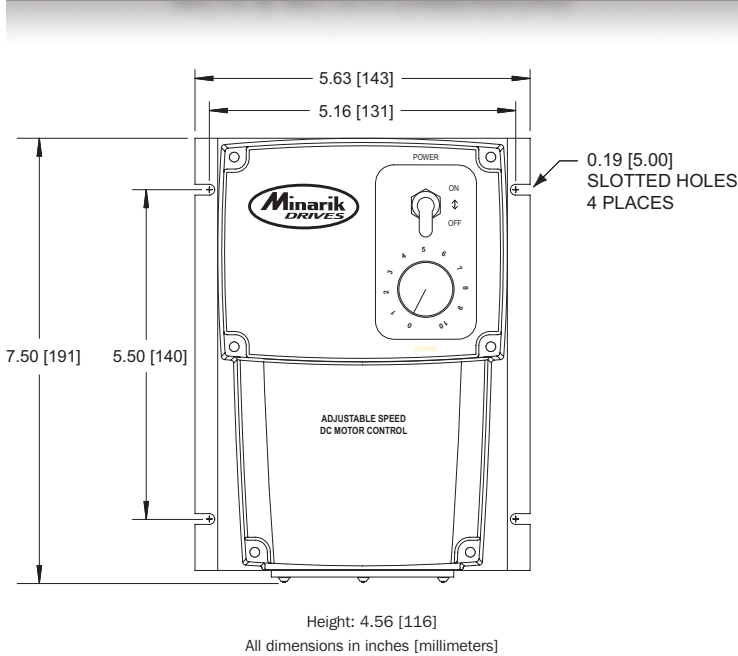


Drive	Input Voltage (VAC)	Output Voltage Range (VDC)	Max. Armature Current	HP Rating @ 90 VDC Output	HP Rating @ 180 VDC Output	Enclosure	Reversing *****	Isolation	Field Supply (VDC) *****	UL Listed 	CSA 	CE TUV 
MC10	115 / 230	0-90 / 0-180	10	1/8 - 1	1/4 - 2	NEMA 4X	-	-	-	YES	-	-
MC10-PCM	115 / 230	0-90 / 0-180	10	1/8 - 1	1/4 - 2	NEMA 4X	-	0-10 VDC 4-20 mA	-	YES	-	-
MC10-R	115 / 230	0-90 / 0-180	10	1/8 - 1	1/4 - 2	NEMA 4X	YES	-	-	YES	-	-

**** The field supply is rated at 1 amp. A 50/100 VDC field is available with 115 VAC input and a 100/200 VDC field is available with 230 VAC input.

***** Reversing models are designed for occasional reversing using the switch on the enclosure. See regenerative drives in Section C for SCR drives that can reverse on-the-fly or for drives with the ability to remote mount direction and braking switches.

MC10 & MC10-R DIMENSIONS



Dimensions of drives not shown above can be found on page 56.
Wiring diagrams can be found on pages 63 and 64.

The MC10 Series provides a reliable and economical solution for variable speed control of permanent magnet, or shunt wound brushed DC motors from 1/8 to 2 horsepower.

Housed in a NEMA 4X enclosure, the dual voltage MC10 Series is ideal for washdown applications and provides protection from moisture, windblown dust and incidental contact.

Included are power and current limit LEDs, line fuses, inhibit pins for remote start/stop, and a speed adjust knob mounted on the front cover. In addition, the MC10 model includes an On/Off switch on the front cover; the MC10-R model- a Forward/Off/Reverse switch; and the MC10-PCM model- an On/Off switch and a Manual/Signal switch.

With excellent control and a plastic NEMA 4X enclosure, the MC10 Series is the perfect solution for many applications that require an enclosed drive.

See page 50 for an in-depth comparison of the different 1Q SCR drives.



FEATURES

- **NEMA 4X enclosure:** Plastic corrosion resistant weatherproof enclosure that protects against dirt and splashing water.
- **Speed range, regulation, & form factor:** 1% of base speed regulation with a 60:1 speed range and a 1.37 form factor at maximum rated voltage.
- **User adjustable calibration pots:** Minimum Speed, Maximum Speed, Current Limit, IR Compensation, Acceleration and Deceleration. The MC10-PCM unit also has Minimum Signal and Maximum Signal pots.
- **Diagnostic LEDs:** LEDs for power and current limit status.
- **Stopping modes:** Inhibit (N.O.) for coasting to a stop.
- **Mounted operators:** Speed adjust knob located on front of case for easy operation. MC10-R includes direction switch and MC10-PCM includes signal/manual switch.
- **Screw terminal:** Quick and easy wire connections.
- **Analog input reference:** MC10-PCM can accept a 0-10VDC or 4-20mA with addition of a shunt resistor.
- **Accessories:** 201-0024 inhibit plug with 18" leads, DLC600 digital closed loop controller.
- **RoHS:** All MC10 series models are RoHS compliant.