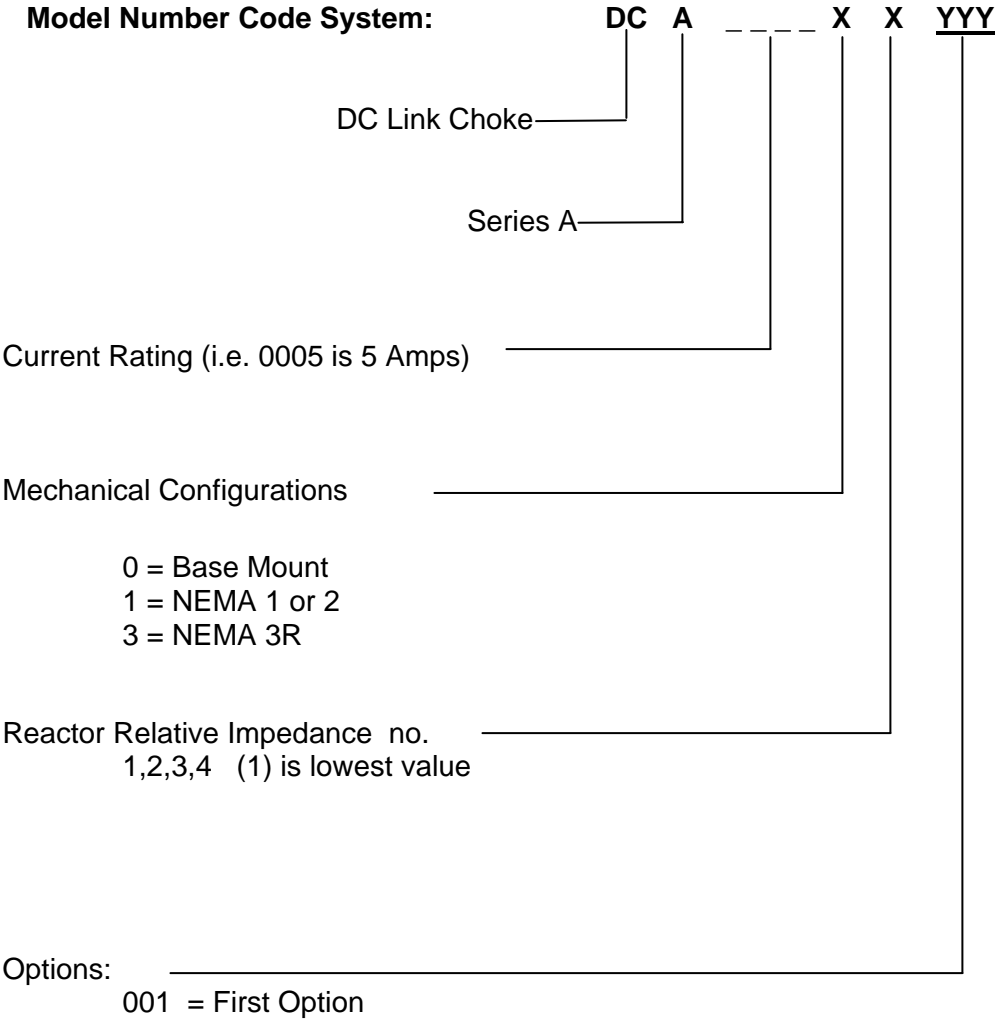


Product Specifications

Series A DC Link Chokes

| | |
|---------------------------|---|
| Approvals: | Component Recognition: (Open Units Only) Per UL 508, cUL per CSA C22.2 14-M91 |
| Maximum Voltage: | 1000 Volts DC |
| Ampere Ratings: | 4 amps thru 200 amps standard |
| Overload Rating: | 150 % of max RMS current for 1 minute |
| Maximum Altitude: | 1000 meters |
| Temperature Rise: | 85 C by TC & 105 C by resistance except as noted. 125 C by TC & 145 C by resistance part numbers DCA008005, DCA009203, DCA015004 and DCA020002 |
| Maximum Ambient: | 50 C open chokes 40 C enclosed chokes |
| Insulation System: | UL Class 155 except as noted UL Class 200 part numbers DCA008005, DCA009203, DCA015004 and DCA020002 |
| Ripple Current: | 10% p-p at 360 Hz maximum |
| Selection Basis: | DC amps, RMS amps |
| Thermal Current: | DC amps x 1.0353 |

Model Code Part Number Configuration



Technical Data

Series A DC Link Chokes

| Cat. No. | DC Amps | mH | Watts | Lug Size | Torque | Unit weight Pounds |
|-----------|---------|-------|-------|----------|--------------------|--------------------|
| DCA000204 | 2 | 50 | 5 | 22-14 | 4.5 | 2 |
| DCA000402 | 4 | 12 | 5 | 22-14 | 4.5 | 2 |
| DCA000403 | 4 | 15 | 6 | 22-14 | 4.5 | 2 |
| DCA000404 | 4 | 25 | 9 | 18-4 | 20 | 4 |
| DCA000902 | 9 | 3.22 | 7 | 22-14 | 4.5 | 2 |
| DCA000903 | 9 | 7.5 | 11 | 18-4 | 20 | 4 |
| DCA000904 | 9 | 11.5 | 16 | 18-4 | 20 | 7 |
| DCA001201 | 12 | 1 | 5 | 22-14 | 4.5 | 1 |
| DCA001202 | 12 | 1 | 7 | 18-4 | 20 | 2 |
| DCA001203 | 12 | 4 | 11 | 18-4 | 20 | 4 |
| DCA001204 | 12 | 6 | 14 | 18-4 | 20 | 7 |
| DCA001801 | 18 | 0.65 | 5 | 18-4 | 20 | 2 |
| DCA001802 | 18 | 1.375 | 9 | 18-4 | 20 | 4 |
| DCA001803 | 18 | 2.75 | 16 | 18-4 | 20 | 7 |
| DCA001804 | 18 | 3.75 | 17 | 18-4 | 20 | 8 |
| DCA001805 | 25 | 6 | 20 | 18-4 | 20 | 13 |
| DCA002503 | 25 | 1.275 | 13 | 18-4 | 20 | 7 |
| DCA002504 | 25 | 1.75 | 13 | 18-4 | 20 | 5 |
| DCA002505 | 32 | 4 | 16 | 18-4 | 20 | 13 |
| DCA003201 | 32 | 0.85 | 11 | 18-4 | 20 | 5 |
| DCA003202 | 32 | 1.62 | 14 | 18-4 | 20 | 10 |
| DCA003203 | 40 | 2.68 | 21 | 18-4 | 20 | 14 |
| DCA004001 | 40 | 0.5 | 14 | 18-4 | 20 | 5 |
| DCA004002 | 40 | 0.75 | 15 | 18-4 | 20 | 7 |
| DCA004003 | 40 | 1 | 17 | 18-4 | 20 | 8 |
| DCA004004 | 40 | 2 | 29 | 18-4 | 20 | 21 |
| DCA005001 | 50 | 0.625 | 18 | 18-4 | 20 | 8 |
| DCA005003 | 50 | 1.35 | 21 | 18-4 | 20 | 15 |
| DCA005004 | 50 | 2 | 30 | 6-0 | 6-4(45) & 2-0 (50) | 25 |
| DCA006201 | 62 | 0.32 | 17 | 6-0 | 6-4(45) & 2-0 (50) | 8 |
| DCA006202 | 62 | 0.61 | 20 | 6-0 | 6-4(45) & 2-0 (50) | 14 |
| DCA008002 | 80 | 0.4 | 25 | 6-0 | 6-4(45) & 2-0(50) | 14 |
| DCA008005 | 80 | 1.25 | | 6-0 | 6-4(45) & 2-0(50) | 35 |
| DCA009201 | 92 | 0.2 | 19 | 6-0 | 6-4(45) & 2-0(50) | 10 |
| DCA009202 | 92 | 0.6 | 34 | 6-0 | 6-4(45) & 2-0(50) | 23 |
| DCA009203 | 92 | 1 | 48 | 6-0 | 6-4(45) & 2-0(50) | 32 |
| DCA011002 | 110 | 0.3 | 38 | 6-0 | 6-4(45) & 2-0(50) | 22 |
| DCA011003 | 110 | 0.45 | 45 | 6-0 | 6-4(45) & 2-0(50) | 22 |
| DCA012502 | 125 | 0.22 | 27 | 6-0 | 6-4(45) & 2-0(50) | 23 |
| DCA015002 | 150 | 0.22 | 36 | 2-0000 | 150 | 23 |
| DCA015004 | 150 | 0.65 | | 2-0000 | 150 | 52 |
| DCA020002 | 200 | 0.21 | 50 | 2-0000 | 150 | 39 |

Dimensions

Series A DC Link Chokes

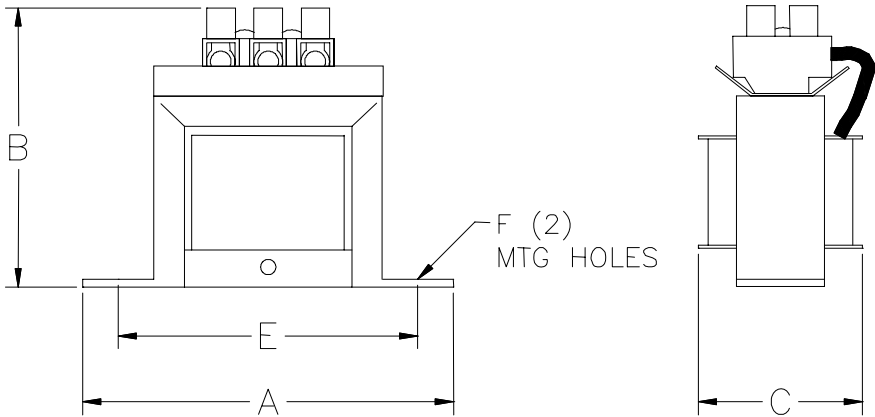


FIGURE 1

Open Frame 1

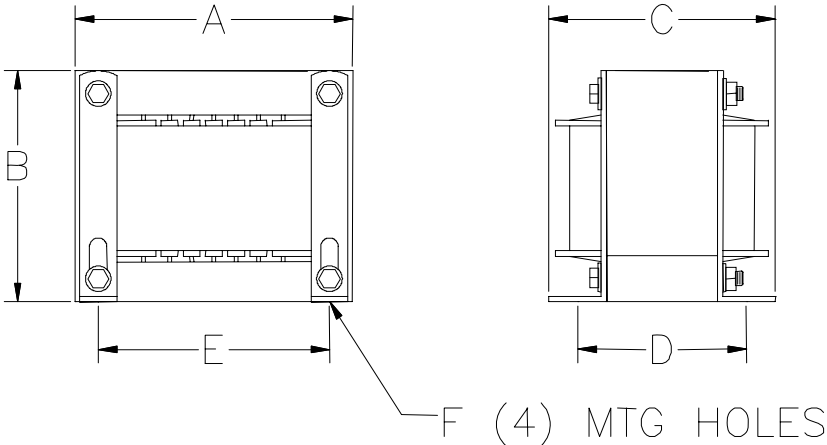


FIGURE 2

Open Frame 2

Dimensions Series A DC Link Chokes

| Cat. No. | Figure | A | B | C | D | E | F |
|-----------|-------------------|------|------|------|------|------|-------------|
| DCA000204 | 1 | 3.75 | 3.25 | 2 | N/A | 3.13 | .187 DIA |
| DCA000402 | 1 | 3.75 | 3.25 | 2 | N/A | 3.13 | .187 DIA |
| DCA000403 | 1 | 3.75 | 3.25 | 2 | N/A | 3.13 | .187 DIA |
| DCA000404 | 2 | 3.81 | 4.5 | 2.82 | 2 | 3.13 | .203 X .328 |
| DCA000902 | 1 | 3.75 | 3.25 | 2 | N/A | 3.13 | .187 DIA |
| DCA000903 | 2 | 3.81 | 4.5 | 2.82 | 2 | 3.13 | .203 X .328 |
| DCA000904 | 2 | 4.63 | 5.25 | 4 | 2.5 | 3.73 | .203 X .328 |
| DCA001201 | 1 | 3.75 | 3.25 | 1.75 | N/A | 3.13 | .187 DIA |
| DCA001202 | 2 | 3.81 | 4.5 | 2.82 | 2 | 3.13 | .203 X .328 |
| DCA001203 | 2 | 3.81 | 4.5 | 2.82 | 2 | 3.13 | .203 X .328 |
| DCA001204 | 2 | 4.63 | 5.25 | 3.5 | 2 | 3.75 | .203 X .328 |
| DCA001801 | 1 | 3.75 | 3.25 | 2 | N/A | 3.13 | .187 DIA |
| DCA001802 | 2 | 3.81 | 4.5 | 2.82 | 2 | 3.13 | .203 X .328 |
| DCA001803 | 2 | 3.81 | 4.5 | 3.75 | 3 | 3.13 | .203 X .328 |
| DCA001804 | 2 | 4.63 | 5.25 | 4 | 2.5 | 3.75 | .203 X .328 |
| DCA001805 | 2 | 4.63 | 5.25 | 5.25 | 4 | 3.75 | .203 X .328 |
| DCA002503 | 2 | 3.81 | 4.5 | 3.75 | 3 | 3.13 | .203 X .328 |
| DCA002504 | 2 | 3.81 | 4.5 | 3 | 2.5 | 3.13 | .203 X .328 |
| DCA002505 | 2 | 4.63 | 5.25 | 5.25 | 4 | 3.13 | .203 X .328 |
| DCA003201 | 2 | 3.81 | 4.5 | 3.32 | 2.5 | 3.13 | .203 X .328 |
| DCA003202 | 2 | 4.63 | 5.25 | 4.25 | 3 | 3.75 | .203 X .328 |
| DCA003203 | 2 | 4.63 | 5.25 | 5.25 | 3 | 3.75 | .203 X .328 |
| DCA004001 | 2 | 3.81 | 4.5 | 3 | 2.5 | 3.13 | .203 X .328 |
| DCA004002 | 2 | 3.81 | 4.5 | 3.75 | 3 | 3.13 | .203 X .328 |
| DCA004003 | 2 | 4.63 | 5.25 | 4 | 2.5 | 3.75 | .203 X .328 |
| DCA004004 | 2 | 6.5 | 6.55 | 6 | 3.38 | 5.31 | .28 X .52 |
| DCA005001 | 2 | 4.63 | 5.25 | 4 | 2.5 | 3.75 | .203 X .328 |
| DCA005003 | 2 | 4.63 | 5.25 | 5.25 | 4 | 3.75 | .203 X .328 |
| DCA005004 | 2 | 6.5 | 5.5 | 6 | 3.38 | 5.31 | .28 X .52 |
| DCA006201 | 2 | 4.63 | 4 | 5 | 2.5 | 3.75 | .203 X .328 |
| DCA006202 | 2 | 4.63 | 4 | 7.25 | 4 | 3.75 | .203 X .328 |
| DCA008002 | 2 | 4.63 | 4 | 6.5 | 4 | 3.75 | .203 X .328 |
| DCA008005 | 2 | | | | | | |
| DCA009201 | 2 | 4.63 | 4 | 6 | 3 | 3.75 | .203 X .328 |
| DCA009202 | 2 | 6.5 | 5.5 | 6.75 | 3.75 | 5.31 | .281 X .562 |
| DCA009203 | 2 | 6.5 | 5.5 | 7 | 4.63 | 5.31 | .281 X .562 |
| DCA011002 | 2 | 6.5 | 5.5 | 6 | 3 | 5.31 | .281 X .562 |
| DCA011003 | 2 | 6.5 | 5.5 | 6.63 | 3.63 | 5.31 | .281 X .562 |
| DCA012502 | 2 | 6.5 | 5.5 | 6.5 | 3.31 | 5.31 | .281 X .562 |
| DCA015002 | 2 | 6.5 | 5.5 | 7.5 | 3.38 | 5.31 | .281 X .562 |
| DCA015004 | 2 | | | | | | |
| DCA020002 | 2 | 7.5 | 6.5 | 9 | 3.63 | 6.75 | .281 X .562 |

Enclosure Drawings Series A DC Link Chokes NEMA 1

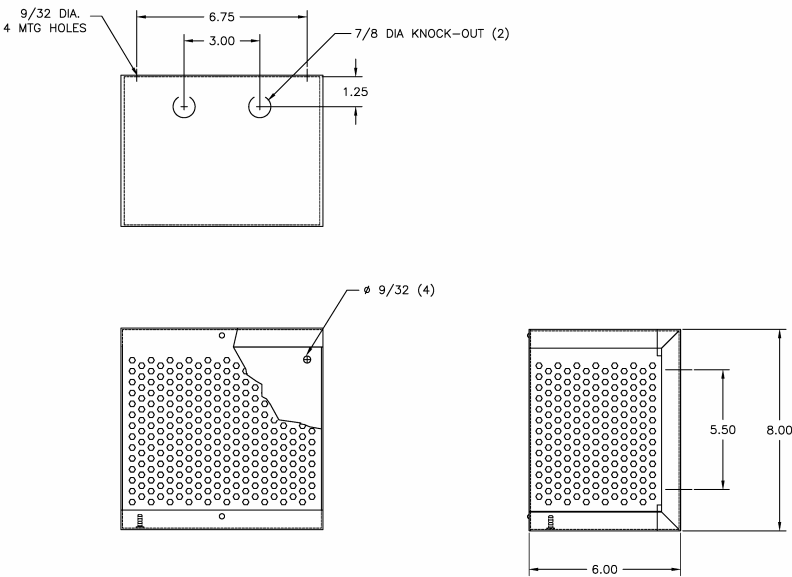


Fig 4 Cab -8

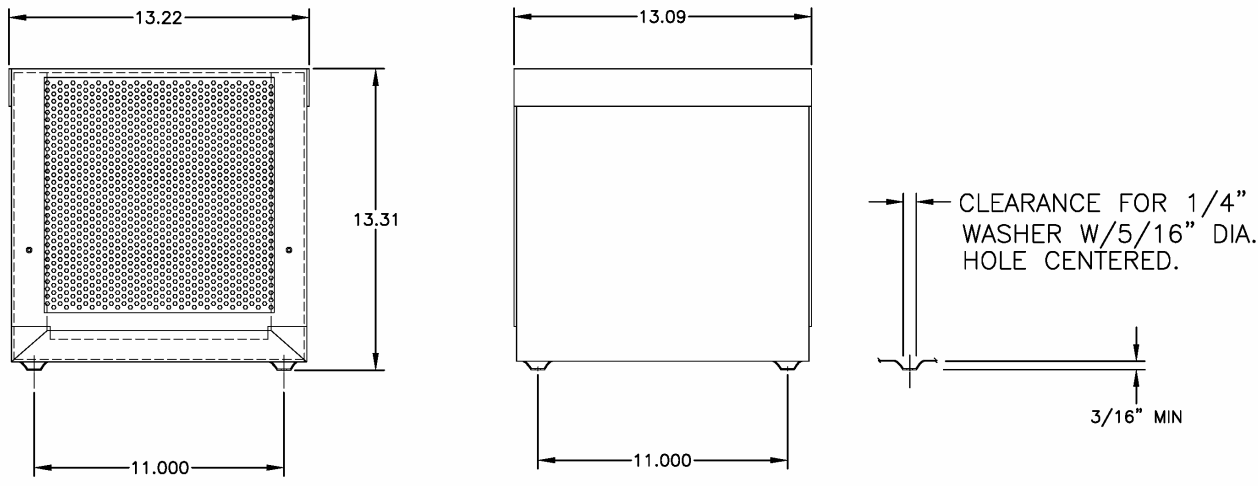


Fig 5 Cab 13V

Enclosure Drawings
Series A DC Link Chokes
NEMA 3R

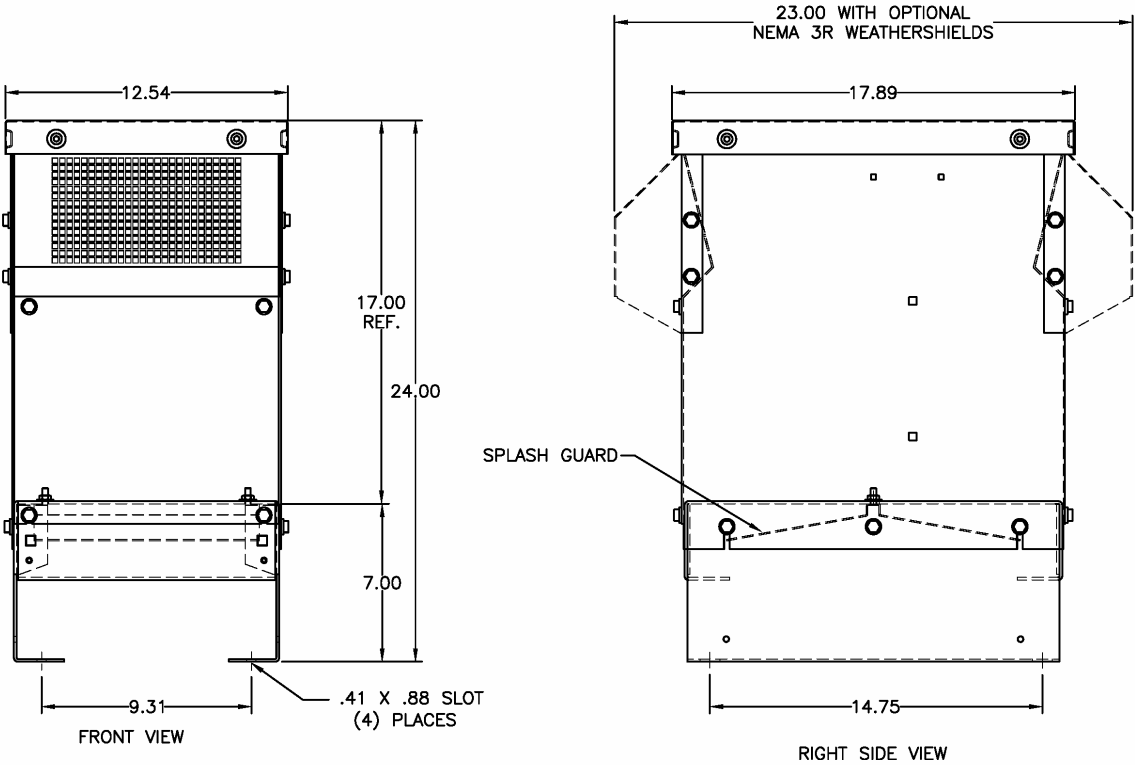


Fig 6 Cab 12C