

# Round Hole Illuminated Rocker, Square Bezel

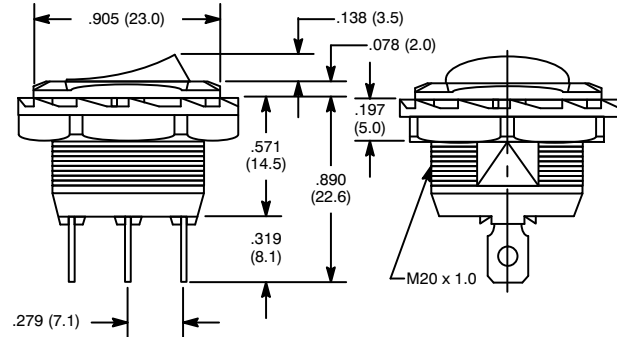


## Features

- Single Pole



## S93



## Specifications

**Current Rating:** 16A 125VAC, 10A 250VAC

**Lens Color:** See Table

**Lamp Voltage:** 110V Neon

**Insulation Resistance:** 100 Megohms (min.) at 500VDC

**Dielectric Strength:** 1500V RMS (min.)

**Temperature Rating:** -4°F to +149°F (-20°C to +65°C)

**Electrical Life:** 6000 cycles (min.)

**Mechanical Life:** 100,000 cycles (min.)

**Terminal Type:** .187" Tab Q.C.

**Mounting Hole:** .795 (20.2)

	NTE Type No.	Circuitry	Action			Actuator		Diag No.
						Material	Color	
<b>NEW</b>	54-513	SPST	ON	NONE	OFF	Nylon	Red	S93
<b>NEW</b>	54-549	SPST	ON	NONE	OFF	Nylon	Amber	S93
<b>NEW</b>	54-550	SPST	ON	NONE	OFF	Nylon	Green	S93