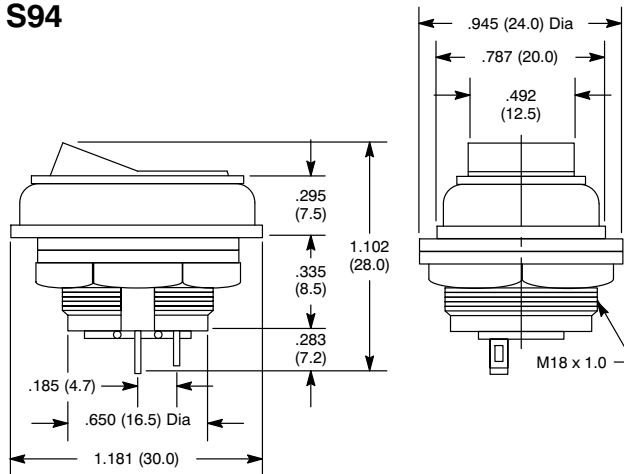


Round Hole Rocker, Single & Double Pole



S94



NEW
NEW
NEW

NTE Type No.	Circuitry	Action			Actuator	Legend	Diag No.
54-514	SPST	ON	NONE	OFF	Nylon	Yes	S94
54-515	SPDT	ON	NONE	ON	Nylon	No	S94
54-516	DPDT	ON	NONE	ON	Nylon	No	S94

Specifications

Current Rating: 6A 125VAC, 3A 250VAC

Insulation Resistance: 100 Megohms (min.) at 500VDC

Dielectric Strength: 1500V RMS (min.)

Temperature Rating: -4°F to +149°F (-20°C to +65°C)

Electrical Life: 6000 cycles (min.)

Mechanical Life: 100,000 cycles (min.)

Terminal Type: Solder Lug

Mounting Hole: .717 (18.2)