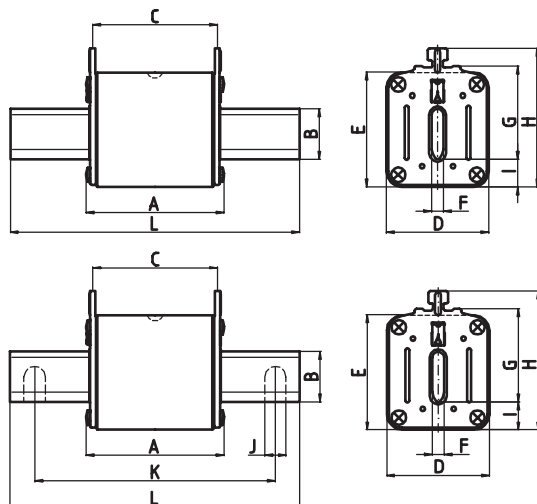


LOW VOLTAGE FUSES
EUROPEAN NH KNIFE-BLADE FUSE SYSTEM

gTr TRANSFORMER
PROTECTION

Size 4a **Rated voltage AC 400 V** **Metal Removal Tags with top indicator** **Standard VDE 0636/2011**

Rated current	Rated transformer capacity kVA	Part No.	Weight (kg/1)	Pack
72 A	50	20 120 15	3.0	1
108 A	75	20 120 15	3.0	1
144 A	100	20 120 15	3.0	1
180 A	125	20 120 15	3.0	1
231 A	160	20 120 15	3.0	1
289 A	200	20 120 15	3.0	1
361 A	250	20 120 15	3.0	1
455 A	315	20 120 15	3.0	1
577 A	400	20 120 15	3.0	1
722 A	500	20 120 15	3.0	1
909 A	630	20 120 15	3.0	1
1155 A	800	20 120 15	3.0	1
1443 A	1000	20 120 15	3.0	1



20 004 15

A _{max.}	2.95" (75 mm)
B	1.02" (26 mm)
C	2.56" (65 mm)
D	2.10" (53 mm)
E	2.32" (59 mm)
F	0.24" (6 mm)
G	1.90" (48 mm)
H	2.83" (72 mm)
I	0.55" (14 mm)
L	5.90" (150 mm)

20 005 15
≤ 577 A

A _{max.}	2.95" (75 mm)
B	1.26" (32 mm)
C	2.56" (65 mm)
D	2.56" (65 mm)
E	2.90" (73.5 mm)
F	0.24" (6 mm)
G	2.36" (60 mm)
H	3.40" (86 mm)
I	0.67" (17 mm)
L	5.90" (150 mm)

20 005 15
> 577 A

A _{max.}	2.95" (75 mm)
B	1.26" (32 mm)
C	2.56" (65 mm)
D	2.87" (73 mm)
E	2.87" (73 mm)
F	0.24" (6 mm)
G	2.36" (60 mm)
H	3.40" (86 mm)
I	0.63" (16 mm)
L	5.90" (150 mm)

20 120 15

A _{max.}	3.94" (100 mm)
B	1.97" (50 mm)
C	3.43" (87 mm)
D	3.94" (100 mm)
E	4.25" (108 mm)
F	0.24" (6 mm)
G	3.35" (85 mm)
H	4.84" (123 mm)
I	1.10" (28 mm)
J	-
K	-
L	7.87" (200 mm)