

SSLM1A13BD

solid state relay - DIN rail mount - input 4-28 V DC, output 12-280 V AC, 3A



Main

Range of product	Zelio Relay
Product or component type	Solid state relay
Device short name	SSLM
Phase	1 phase

Complementary

Mounting support	Symmetrical DIN rail
Line Rated Current	3 A
Output voltage	12...280 V AC
[Uc] control circuit voltage	4...28 V DC
Contacts type and configuration	1 NO
Tightening torque	0.6...0.8 N.m
Connections - terminals	Screw terminals : 1 x 0.2...1 x 5.26 mm ² (AWG 24...AWG 10)
Switching voltage	4 V DC turn-on
Load current	0.1...3 A
Voltage drop	<= 1.65 V on-state
Leakage current	<= 5 mA off-state
Overvoltage category	III
Width	0.3 in (7.5 mm)
Height	3.15 in (80 mm)
Depth	2.48 in (63 mm)
Product weight	0.07 lb(US) (0.03 kg)

Environment

Dielectric strength	4000 V for input/output
---------------------	-------------------------

Pollution degree	2
Product certifications	UL CSA EAC
Marking	CE UL EAC CSA
Ambient air temperature for operation	32...158 °F (0...70 °C)

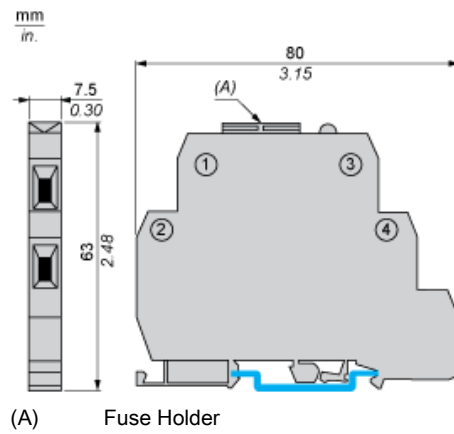
Ordering and shipping details

Category	21127 - ZELIO ICE CUBE RELAYS
Discount Schedule	CP2
GTIN	00785901072706
Nbr. of units in pkg.	12
Package weight(Lbs)	7.0000000000000007E-2
Returnability	N
Country of origin	MX

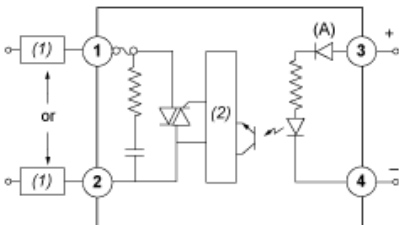
Offer Sustainability

Sustainable offer status	Green Premium product
RoHS (date code: YYWW)	Compliant - since 1522 - Schneider Electric declaration of conformity
REACH	Reference not containing SVHC above the threshold
Product environmental profile	Available
Product end of life instructions	Available
California proposition 65	WARNING: This product can expose you to chemicals including:
----- Substance 1	Nickel compounds, which is known to the State of California to cause cancer, and
----- Substance 2	Di-isodecyl phthalate (DIDP), which is known to the State of California to cause birth defects or other reproductive harm.
----- More information	For more information go to www.p65warnings.ca.gov

Dimensions



Wiring Diagram



- 1,2 : Field VAC (Supply through Load)
- 3, 4 : Vcc
- (1) Load
- (2) Zero voltage detect
- (A) LED