



MICROSTROBE
120 & 240VAC MODELS
 470SSGP, 480S, 480SMB, 485S, 490S, 492S, 495S
 TYPE 4X ENCLOSURE



INSTALLATION, OPERATION AND MAINTENANCE DATA SHEET

SAFETY NOTICE WARNING

Failure to follow all safety precautions and instructions may result in property damage, serious injury, or death to you or others.

SAFETY MESSAGE TO INSTALLERS, USERS, AND MAINTENANCE PERSONNEL

It is important to follow all instructions shipped with this product. This device is to be installed by a trained installer who is thoroughly familiar with the national electrical code and local codes as well.

The selection of the mounting location for the device, its controls and the routing of the wiring is to be accomplished under the direction of the facilities engineer. In addition, listed below are some other important safety instructions and precautions you should follow:

- Read and understand all instructions before installing or operating this equipment.
- Do not connect this device to the system when the power is turned on.
- After installation, ensure that all screws and thread joints are properly tightened.
- After installation, test the system regularly to ensure that it is operating properly.
- After installation and testing is complete, provide a copy of this instruction sheet to all operating personnel.

INSTALLATION

Important-Before installing, check the fixture nameplate to be sure you have the correct fixture.

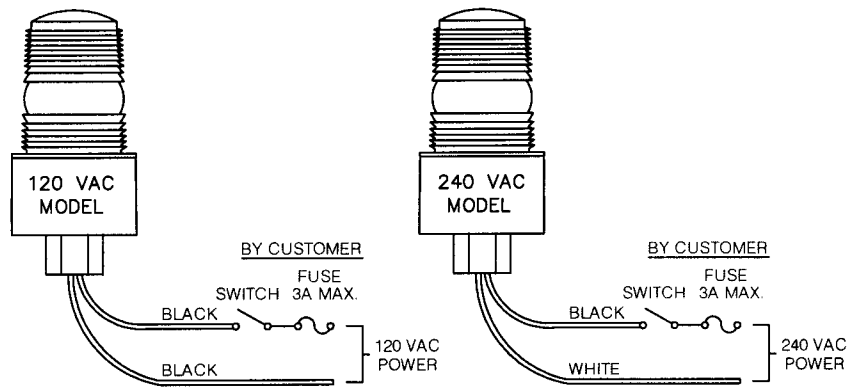
MAKE SURE THAT THE CIRCUIT IS DEACTIVATED BEFORE STARTING INSTALLATION.

The Microstrobe is mounted by 1/2" conduit. Wiring shall be installed in accordance with national and local codes. Refer to NFPA 70 ART 501-4 (b).

The unit may be mounted in any orientation that provides the desired illumination. Mounting hardware and installation details are left to the installer to provide.

WIRING

The 120 VAC Model is rated for operation at 120VAC 50/60Hz power. The 240VAC Model is rated for operation at 240VAC 50/60Hz.



OPERATION

To operate the unit, just apply power. There are no adjustments to make for flash rate or intensity.

**SERVICE AND REPAIR
 DANGER HIGH VOLTAGE**

Should the light fail to operate, check to see that the proper voltage is reaching the unit. If the unit still fails to operate, replace the lamp. To replace a lens or lamp, switch power off and wait 5 minutes before removing lens.

The unit's base contains electronic components that are not accessible. Therefore, no field repairs other than lens or lamp replacement are possible.

When replacing the lens, hand tighten only-do not over tighten. The water tight O-ring seal will seal the unit as soon as the lens seats on the base. The O-ring seal does not depend on how tight the lens is screwed in.

Cleaning-The unit is made of GE Lexan polycarbonate plastic. Use mild soap and water to wash.