

Data sheet | Item number: 750-979/000-011

Connector ETHERNET; RJ-45; Cat. 6A; angled; Code T568A; AWG 22; Strain relief

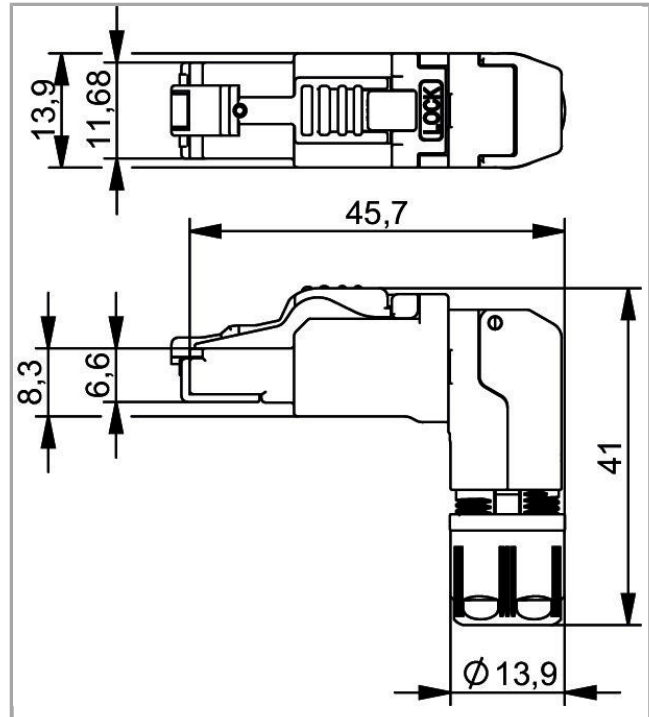


750-979/000-011

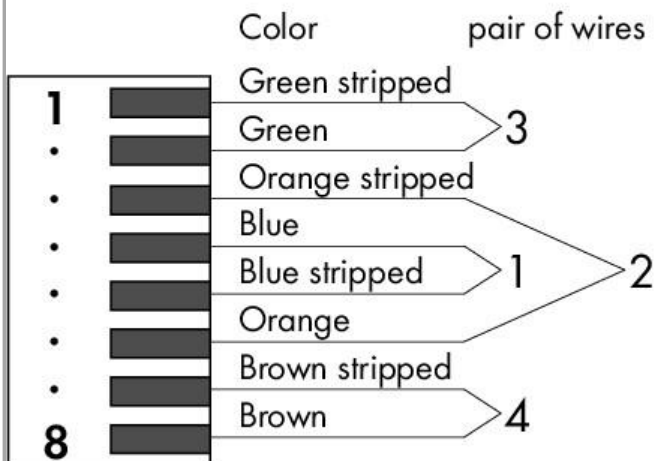


RoHS Compliant

[BOMcheck.net](https://www.bomcheck.net)



Pin assignment TIA-568A



Data

Technical Data

Connection type

Stecker RJ-45

No. of poles

8



Leitungsanschlussrichtung zur Steckrichtung	90°
Leitungsanschlussrichtung Hinweis	selectable position
Communication/Fieldbus	Ethernet
Code	TIA-568A
Baud rate	-

Connection data

Connection type (1)	IDC-(Schneidklemm-)Kontakt
Solid conductor	0.21 ... 0.32 mm ² / 24/1 ... 22/1 AWG
Stranded conductor (2)	0.11 ... 0.36 mm ² / 27/7 ... 22/7 AWG

Geometrical Data

Width	13.9 mm
Height	41 mm
Depth	45.7 mm

Mechanical data

Connection requirement (permissible cable type)	Cat. 6 A
Connectable sheathed cable diameter	5.5 ... 10 mm
Housing material	Zinc die casting
Weight	26 g

Environmental Requirements

Surrounding air (operating) temperature	-40 ... 85 °C
Surrounding air (storage) temperature	-40 ... 85 °C
Protection class	IP20
Relative air humidity (no condensation)	95 %
Standards/specifications	IEC60603-7-51, ISO/IEC 11801, IEEE 802.3an; EIA/TIA 568-C.2; DIN EN 50173-1; UL 1863; UL 2043

Commercial data

Country of origin	TW
GTIN	4055143586283
Customs Tariff No.	85366990990

Downloads

Documentation

Bid Text

750-979/000-011

doc

Download



24.6 kB

Additional Information

Disposal; Electrical and electronic equipment, Packaging

V 1.0.0

pdf
265.8 kB

[Download](#)

Subject to changes.
