



LOH121206

Industry Standards

UL 50, Types 1 & 3R
CSA Certified, Type 1 & 3R
NEMA/EEMAC Type 1 & 3R

 UL File E6924

 CSA File LL66078

FEATURES-SPECIFICATIONS

Applications

Designed for use as wiring box and junction box. Provide protection in outdoor installations against rain, sleet, and snow, or indoors against dripping water.

Construction

- Bodies and doors fabricated from 16 or 14 gauge carbon steel (reference table)
- Drip shield top and seam-free sides, front, and back

- Door is hinged on left side with lift off hinges
- Stainless steel hinge pin
- No knockouts
- Mounting holes are provided on back of enclosure
- Door fastened securely with draw pull catch
- Provision for padlocking
- Grounding provisions provided

Finish

- ANSI-61 gray polyester powder inside and out over phosphatized surfaces
- **Optional** back panels are white polyester powder over phosphatized surfaces

Accessories

- Mounting feet kit (reference table, see page B8)
- Back panels (reference table)
- For accessories see pages J1-J19

LOH SERIES HINGE COVER ENCLOSURES											
CATALOG NUMBER	BODY/DOOR STEEL GAUGE	ENCLOSURE SIZE H X W X D	BACK PANEL CATALOG NUMBER*	BACK PANEL SIZE A X B	C	E	F	G	H	I	J
LOH080604**◀	16/16	8.00x6.00x4.00 (203x152.00x102)	P0606	4.88x4.88 (124x124)	10.13 (257)	9.13 (232)	4.00 (102)	2.25 (57)	0.31 (8)	1.56 (40)	0.56 (14)
LOH080806**◀	16/16	8.00x8.00x6.00 (203x203.00x152)	P0806	6.88x4.88 (175x124)	10.13 (257)	9.13 (232)	4.00 (102)	2.25 (57)	0.31 (8)	1.56 (40)	1.56 (40)
LOH100806	16/16	10.00x8.00x6.00 (254x203x152)	P0808	6.88x6.88 (174x174)	12.13 (308)	11.13 (283)	4.00 (102)	2.25 (57)	0.31 (8)	1.56 (40)	0.56 (14)
LOH121006◀	16/16	12.00x10.00x6.00 (305x254x152)	P1010	8.88x8.88 (226x226)	14.13 (359)	13.13 (334)	4.00 (102)	2.25 (57)	0.31 (8)	1.56 (40)	0.56 (14)
LOH121206	16/16	12.00x12.00x6.00 (305x305x152)	P1210	10.88x8.88 (276x226)	14.13 (359)	13.13 (334)	4.00 (102)	2.25 (57)	0.31 (8)	1.56 (40)	1.56 (40)
LOH161206	16/16	16.00x12.00x6.00 (406x305x152)	P1412	12.88x10.88 (327x175)	18.13 (461)	17.13 (435)	4.00 (102)	2.25 (57)	0.31 (8)	1.56 (40)	0.56 (14)
LOH161606◀	14/14	16.00x16.00x6.00 (406x406x152)	NP1616	13.00x13.00 (330x330)	18.13 (461)	17.19 (437)	13.00 (330)	13.00 (330)	0.88 (22)	1.50 (38)	1.50 (38)
LOH201606	14/14	20.00x16.00x6.00 (508x406x152)	NP2016	17.00x13.00 (432x330)	22.19 (564)	21.19 (538)	13.00 (330)	13.00 (330)	0.88 (22)	1.50 (38)	1.50 (38)
LOH202008◀	14/14	20.00x20.00x8.00 (508x508x203)	NP2020	17.00x17.00 (432x432)	22.19 (564)	21.19 (538)	13.00 (330)	13.00 (330)	0.88 (22)	1.50 (38)	1.50 (38)
LOH242008◀	14/14	24.00x20.00x8.00 (610x508x203)	NP2420	21.00x17.00 (533x432)	26.19 (665)	25.19 (640)	13.00 (330)	13.00 (330)	0.88 (22)	1.50 (38)	1.50 (38)
LOH242408	14/14	24.00x24.00x8.00 (610x610x203)	NP2424	21.00x21.00 (533x533)	26.19 (665)	25.19 (640)	13.00 (330)	13.00 (330)	0.88 (22)	1.50 (38)	1.50 (38)
LOH302408	14/14	30.00x24.00x8.00 (762x610x203)	NP3024	27.00x21.00 (686x533)	32.19 (818)	21.19 (538)	13.00 (330)	13.00 (330)	0.88 (22)	1.50 (38)	1.50 (38)

◀ NEW PRODUCT IN 2003

* Back panels must be ordered separately. If a back panel is required, an optional panel mounting kit is required. See page B9.

** One draw pull catch.

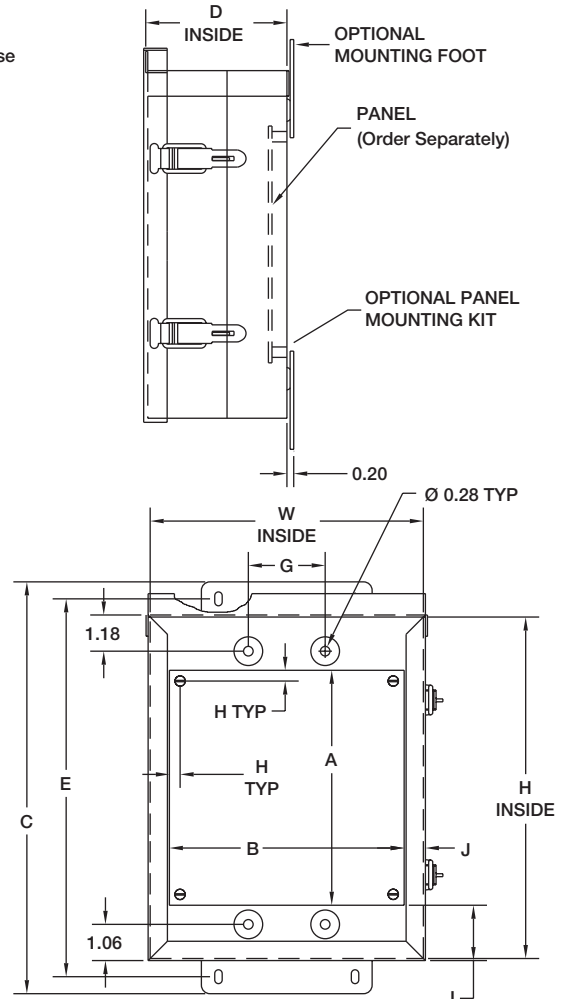
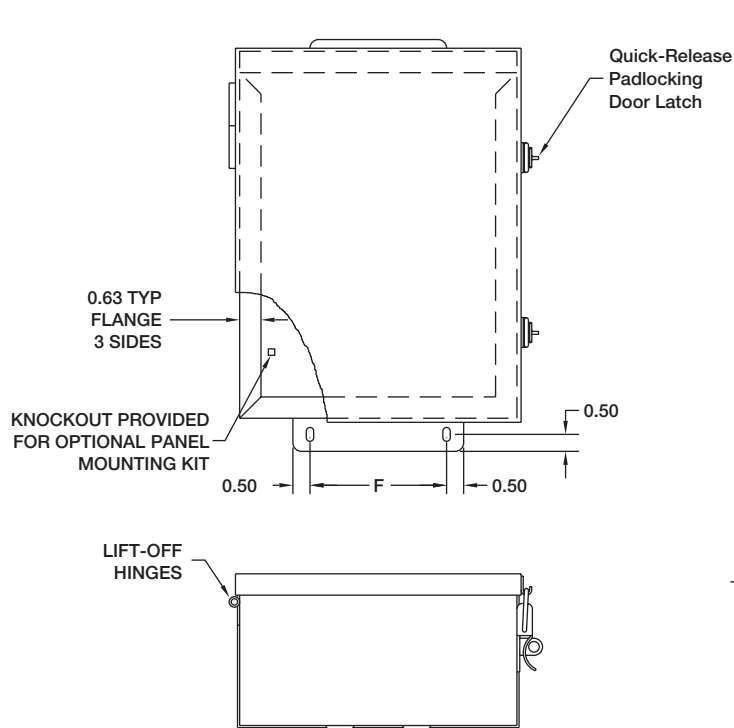
Note: If mounting feet are required, an optional mounting foot kit is required. See page B9.



WIEGMANN

PANEL MOUNTING KIT (OPTIONAL)	
CATALOG NUMBER	DESCRIPTION
WAPMK3RL016	Panel Mounting Kit for 16 ga. Enclosures
WAPMK3RL014	Panel Mounting Kit for 14 ga. Enclosures

MOUNTING FOOT KIT (OPTIONAL)				
CATALOG NUMBER	DESCRIPTION	OVERALL WIDTH OF FOOT	GAUGE OF MATERIAL	HOLE SPACING
WAMFK3RL016	Mounting Foot Kit for Enclosures 16x12x6 and smaller	5.00 (127)	14	4.00 (102)
WAMFK3RL014	Mounting Foot Kit for Enclosures 16x16x6 and larger	14.00 (356)	10	13.00 (330)



View With Cover Removed & Panel Installed



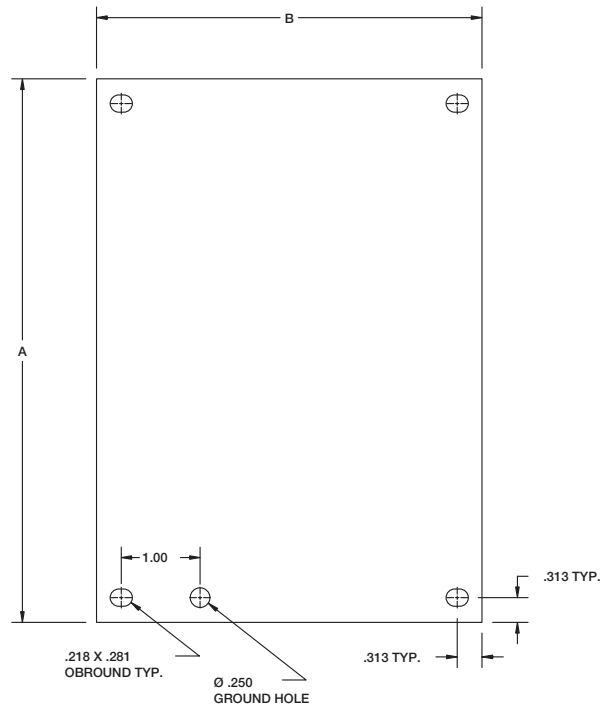
P0808

FEATURES-SPECIFICATIONS

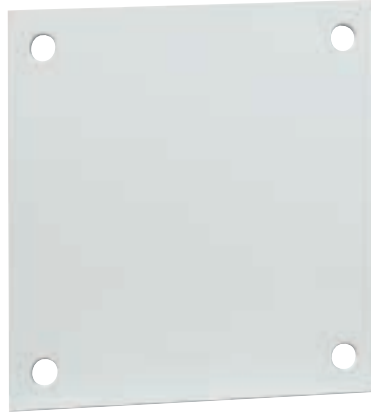
Description

- 14 gauge (carbon and stainless)
- White polyester powder finish on steel panels
- Aluminum panels are 5052-H32 aluminum alloy, .080-inch thick
- Panels fit the following enclosures:
 - B
 - BCH
 - BN4
 - BN4CH
 - BN4SS
 - BN4CHSS
 - BN4AL
 - BN4CHAL

BACK PANELS FOR JIC ENCLOSURES			
CATALOG NUMBER			PANEL SIZE A X B
PAINTED STEEL (WHITE)	304 STAINLESS STEEL	ALUMINUM	
P0604	P0604SS	P0604AL	4.88x2.88 (124x73)
P0606	P0606SS	P0606AL	4.88x4.88 (124x124)
P0806	P0806SS	P0806AL	6.88x4.88 (175x124)
P0808	—	—	6.88x6.88 (175x175)
P1008	P1008SS	P1008AL	8.88x6.88 (226x175)
P1010	—	—	8.88x8.88 (226x226)
P1206	—	—	10.88x4.88 (276x124)
P1210	P1210SS	P1210AL	10.88x8.88 (276x226)
P1212	P1212SS	—	10.88x10.88 (276x276)
P1408	—	—	12.88x6.88 (327x175)
P1412	P1412SS	P1412AL	12.88x10.88 (327x276)
P1610	—	—	14.88x8.88 (378x226)
P1614	P1614SS	P1614AL	14.88x12.88 (378x327)



**NP SERIES BACK PANELS
ACCESSORY PANELS FOR NEMA 1, 3R, 12, 4 & 4X WALL-MOUNTS**

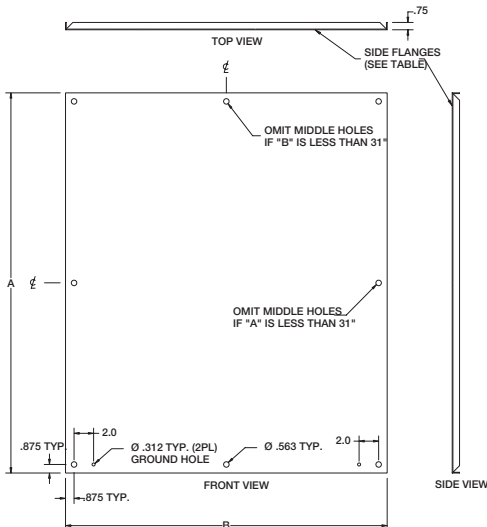


NP1212

FEATURES-SPECIFICATIONS

Description

- Steel and stainless panels are 12 gauge
- Aluminum panels are 5052-H32 aluminum alloy, .080-inch thick
- Panel with any side over 17.00" has 3/4" flange on all sides
- Steel panels are painted white polyester powder
- Panels fit the following enclosures:
 - NEMA 1, Large (NIC)
 - NEMA 3R, Hinge Cover (RHC, Large)
 - NEMA 4, 412, & 4X Single Door (N12, N4, N412, SSN4)
 - NEMA 12 2-Door Wall-Mount, (WAWF), Single Door Right Flange Disconnect (SDN12, ABN12) Large JIC (B-CH, Large) Single door N12



BACK PANELS FOR NEMA 1, 3R, 12, 4 & 4X WALL-MOUNT ENCLOSURES			
PAINTED STEEL (WHITE)	CATALOG NUMBER		PANEL SIZE A X B
	316 STAINLESS STEEL	ALUMINUM	
NP1212	—	—	9.00X9.00 (229X229)
NP1224	—	—	9.00X21.00 (229X533)
NP1612	NP1612SSA	ALNP1612	13.00X9.00 (330X229)
NP1616	NP1616SSA	ALNP1616	13.00X13.00 (330X330)
NP1620	—	—	17.00X13.00 (432X330)
NP2012	—	—	17.00X9.00 (432X229)
NP2016	NP2016SSA	ALNP2016	17.00X13.00 (432X330)
NP2024	—	—	21.00X17.00 (533X432)
NP2020	NP2020SSA	ALNP2020	17.00X17.00 (432X432)
NP2412	—	—	21.00X9.00 (533X229)
NP2416	NP2416SSA	—	21.00X13.00 (533X330)
NP2420	NP2420SSA	ALNP2420	21.00X17.00 (533X432)
NP2424	NP2424SSA	ALNP2424	21.00X21.00 (533X533)
NP2430	—	—	27.00X21.00 (686X533)
NP3016	—	—	27.00X13.00 (686X330)
NP3020	NP3020SSA	—	27.00X17.00 (686X432)
NP3024	NP3024SSA	ALNP3024	27.00X21.00 (686X533)
NP3030	NP3030SSA	—	27.00X27.00 (686X686)
NP3036	—	—	33.00X27.00 (838X686)
NP3042	—	—	39.00X27.00 (991X686)
NP3624	NP3624SSA	ALNP3624	33.00X21.00 (838X533)
NP3630	NP3630SSA	ALNP3630	33.00X27.00 (838X686)
NP3636	NP3636SSA	—	33.00X33.00 (838X838)
NP3642	—	—	39.00X33.00 (991X838)
NP4024	—	—	37.00X21.00 (940X533)
NP4224	—	—	39.00X21.00 (991X533)
NP4230	NP4230SSA	—	39.00X27.00 (991X686)
NP4236	NP4236SSA	—	39.00X33.00 (991X838)
NP4824	—	—	45.00X21.00 (1143X533)
NP4830	—	—	45.00X27.00 (1143X686)
NP4836	NP4836SSA	ALNP4836	45.00X33.00 (1143X838)
NP6030	—	—	57.00X27.00 (1448X686)
NP6036	NP6036SSA	ALNP6036	57.00X33.00 (1448X838)
NP7230	—	—	69.00X27.00 (1753X686)
NP7236	—	—	69.00X33.00 (1753X838)