

**N1P SERIES BACK PANELS
ACCESSORY PANELS FOR SMALL NIC & RHC ENCLOSURES**



N1P0606PP



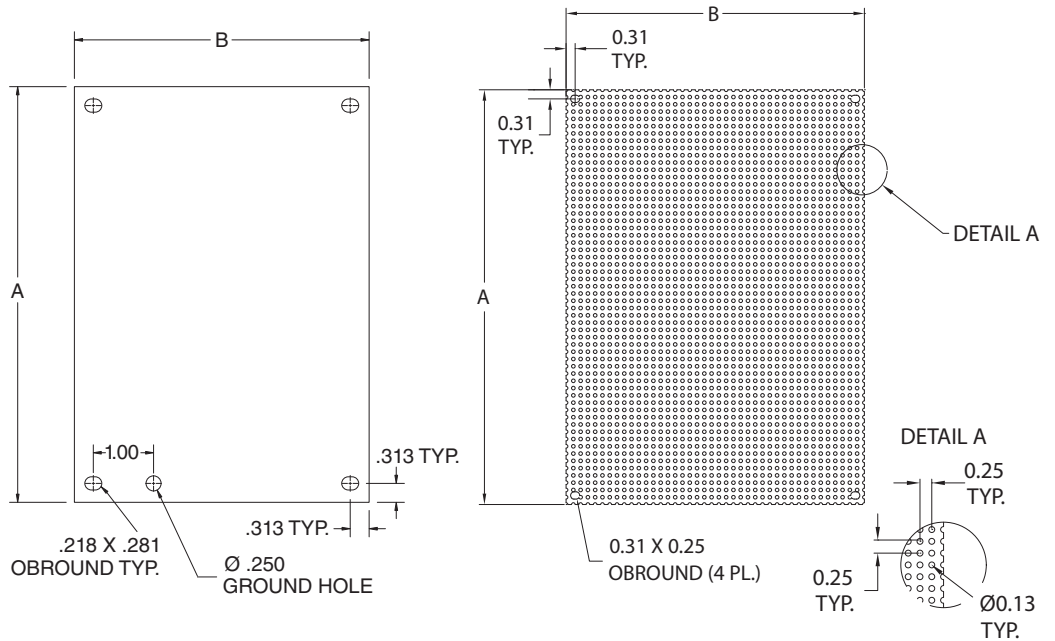
N1P0606

FEATURES-SPECIFICATIONS

Description

- 14 gauge (non-perforated)
- White polyester powder
- Panels fit the following enclosures:
 - NEMA 1 Small (NIC)
 - NEMA 3R Small (RHC)
 - NEMA 12 WAGIE
- Perforated steel panels are 14 gauge
- Accept self-tapping screws - eliminates the need to measure, mark and drill when mounting components
- Panels are used for mounting lightweight control components

BACK PANELS FOR SMALL NIC & RHC ENCLOSURES		
CATALOG NUMBER		PANEL SIZE A X B
PAINTED	PERFORATED	
N1P0606	N1P0606PP	4.25x4.25 (108x108)
N1P0608	N1P0608PP	6.25x4.25 (159x108)
N1P0808	N1P0808PP	6.25x6.25 (159x159)
N1P0810	N1P0810PP	8.25x6.25 (210x159)
N1P1010	N1P1010PP	8.25x8.25 (210x210)
N1P1012	N1P1012PP	10.25x8.25 (260x210)
N1P1212	N1P1212PP	10.25x10.25 (260x260)
N1P1214	N1P1214PP	12.25x10.25 (311x260)
N1P1216	N1P1216PP	14.25x10.25 (362x260)
N1P1220	N1P1220PP	18.25x10.25 (464x260)



**N1P SERIES BACK PANELS
ACCESSORY PANELS FOR LARGE NIC & RHC ENCLOSURES**



N1P1216L



N1P1216L

FEATURES-SPECIFICATIONS

Description

- 14 & 12 gauge (non-perforated)
- White polyester powder
- Panels fit the following enclosures:
 - NEMA 1 Medium (NIC)
- Perforated steel panels are 14 gauge
- Accept self-tapping screws - eliminates the need to measure, mark and drill when mounting components
- Panels are used for mounting light-weight control components

BACK PANELS FOR LARGE NIC & RHC ENCLOSURES			
CATALOG NUMBER		GAUGE	PANEL SIZE A X B
PAINTED	PERFORATED		
N1P1216L	N1P1216LPP	14	13.00x10.50 (330x267)
N1P1616	N1P1616PP	14	13.00x14.50 (330x368)
N1P1620	N1P1620PP	14	17.00x14.50 (432x368)
N1P2016	N1P2016PP	14	13.00x18.50 (330x470)
N1P2020	N1P2020PP	14	17.00x18.50 (432x470)
N1P1624	N1P1624PP	14	21.00x14.50 (533x368)
N1P2024	N1P2024PP	14	21.00x18.50 (533x470)
N1P2424	N1P2424PP*	12	21.00x22.50 (533x572)
N1P2030	N1P2030PP*	12	26.00x18.50 (660x470)
N1P2436	N1P2436PP*	12	32.00x22.50 (813x572)
N1P3036	N1P3036PP*	12	32.00x28.50 (813x724)
N1P2420	N1P2420PP	14	17.00x22.50 (432x572)
N1P2430	N1P2430PP*	12	26.00x22.50 (660x572)
N1P3030	N1P3030PP*	12	26.00x28.50 (660x724)
N1P3036	N1P3036PP*	12	32.00x28.50 (813x724)

*Perforated panels are formed on four sides.

